



**MITSUBISHI ELECTRIC AUTOMATION (THAILAND) CO., LTD.**  
 Bang-Chan Industrial Estate No. 111 Moo 4, Serithai Rd., T.Kannayao, A.Kannayao, BKK 10230 Thailand  
 Tel: (66) 2517-1326, (66) 2919-9873 Fax: (66) 2517-1328 URL: www.meath-co.com E-mail: support@meath.co.th  
**บริษัท มิทซูบิชิ อิเล็กทริก ออโตเมชัน (ประเทศไทย) จำกัด**  
 นิคมอุตสาหกรรมบางชัน เลขที่ 111 หมู่ 4 ถนนเสรีไทย แขวงคันนายาว เขตคันนายาว กทม. 10230  
 โทรศัพท์: (66) 2517-1326, (66) 2919-9873 โทรสาร: (66) 2517-1328 URL: www.meath-co.com E-mail: support@meath.co.th

**MOTOR SPECIFICATION SHEET**

MODEL : SF-PR 2.2kW 4P  
 USED FOR : 200V CLASS  
 MANUFACTURER : MITSUBISHI ELECTRIC AUTOMATION (THAILAND) CO.,LTD.

DESCRIPTION	DETAIL		
PHASE	3		
MODEL NAME	SF-PR		
RATED OUTPUT	2.2 kW		
POLE	4		
CODE	MEATH CODE : 1M002F-400220PRDH0		
OUTLINE DRAWING NO.	ONM04O259-*		
RATED VOLTAGE (V)	200	200	
RATED FREQUENCY (Hz)	50	60	
RATED CURRENT (A)	9.6	8.8	
RATED SPEED (min <sup>-1</sup> )	1450	1745	
RATED EFFICIENCY	88.2%	89.9%	
EFFICIENCY CLASS	IE3		
THERMAL CLASS	120 (E)		
RATING	S1 (CONTINUOUS)		
ENCLOSURE CONSTRUCTION	TOTALLY ENCLOSED FAN COOLED		
DEGREES OF PROTECTION	IP44		
METHOD OF COOLING	IC411		
FRAME NO.	100L		
WEIGHT (kg)	29		
STANDARD	IEC 60034-1, IEC 60034-30-1		
INSTALLATION	FOOT MOUNTED		
ROTATION	CCW (VIEWED FROM SHAFT END)		
BEARING	LOAD SIDE : 6206ZZ	OPPOSITE SIDE : 6205ZZ	
BEARING GREASE	UREA GREASE		
NOISE (dB.A)*	50Hz : 54 / 60Hz : 59		
VIBRATION	V10		
CIRCUMSTANCE CONDITION	AMBIENT TEMPERATURE : -30 ~ +40°C AMBIENT HUMIDITY : 100% RH (NO CONDENSATION) ABOVE SEA LEVEL : 1000m OR BELOW ENVIRONMENT : NO CORROSIVE/EXPLOSIVE GAS, NO STEAM OR CONDENSATION, MINIMAL DUST.		
COLOR	MUNSELL N7 (GRAY)		
TERMINAL BOX	NO. OF LEAD WIRES : 3	SOURCE CONNECTION : TERMINAL BLOCK	
SHAFT SWING	≤0.03mm		
MATERIAL	FRAME : STEEL PLATE	BRACKET : ALUMINIUM	
	SHAFT : CARBON STEEL	STATOR CORE : ELECTRICAL STEEL	
	WIRE : ENAMELLED COPPER MAGNET WIRE	ROTOR CORE : ELECTRICAL STEEL	
	CONDUCTOR : ALUMINIUM	TERMINAL BOX : STEEL PLATE	
	PAINING : ALKYD-NITROCELLULOSE RESIN		
PRODUCTION COUNTRY	THAILAND		

\*Value indicates representative value, not guaranteed value.

Specifications subject to change without notice.

<b>SPECIFICATION SHEET NO.</b>				
SS-M-0713-A				

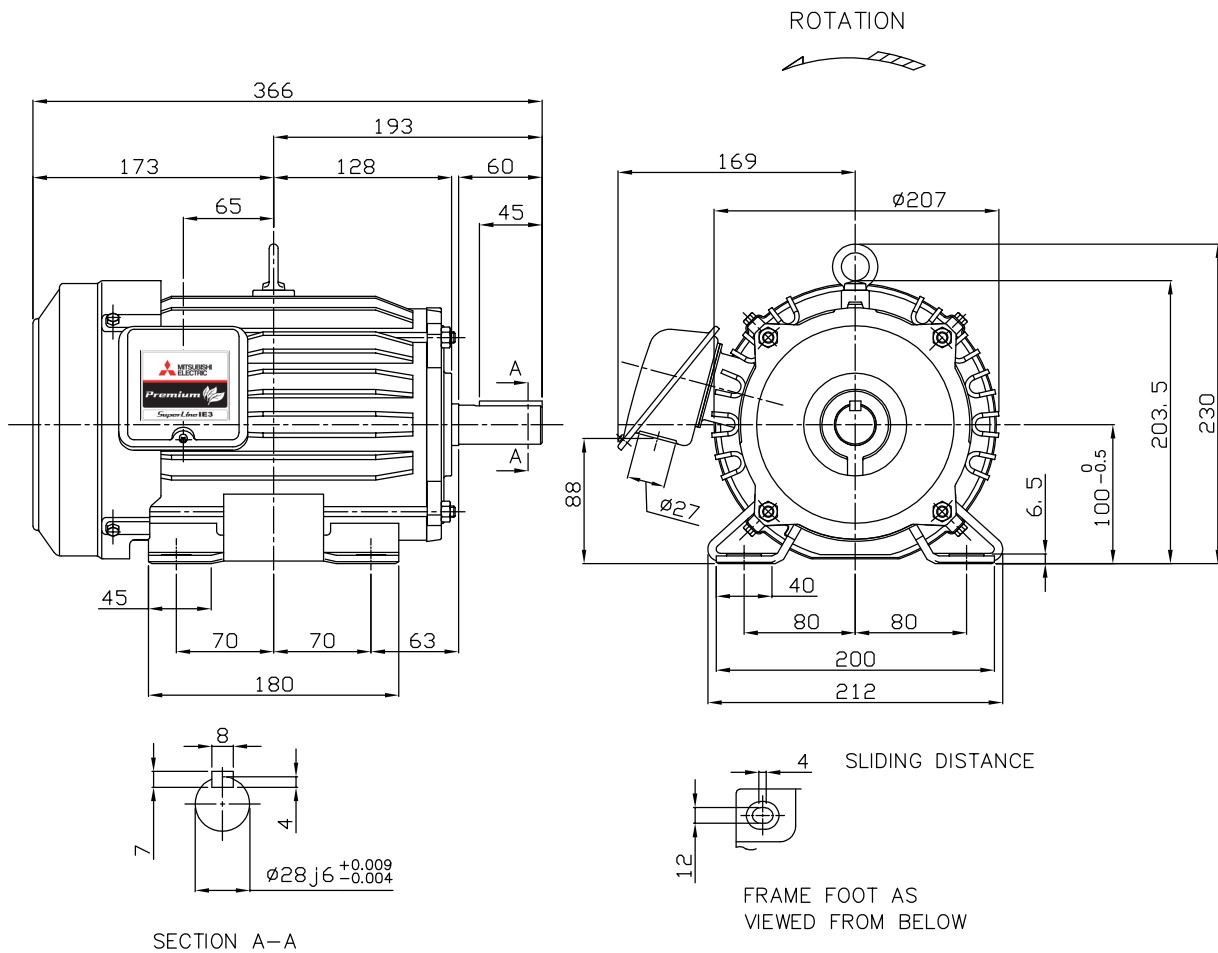
MODEL SF-PR THREE PHASE INDUCTION MOTOR OUTLINE DRAWING

INDOOR MOTOR

TOTALLY ENCLOSED FAN COOLED TYPE

DEGREES OF PROTECTION IP44

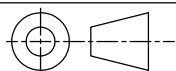
CUSTOMER \_\_\_\_\_  
 USER \_\_\_\_\_  
 FOR \_\_\_\_\_  
 CUSTOMER'S ORDER NO. \_\_\_\_\_  
 QUANTITY \_\_\_\_\_  
 MFG. ORDER NO. \_\_\_\_\_



YOUR ORDER	FRAME SIZE	RATING	TH. CLASS	AMB. TEMP.	BEARINGS		COLOR	DIRECTION OF ROTATION (VIEWED FROM SHAFT END)	NO. OF TERMINALS	REMARKS
					LOAD SIDE	OPP. SIDE				
	100L	S1 (CONT.)	120(E)	40°C	6206ZZ	6205ZZ	GRAY (MUNSELL N7)	CCW	3	

YOUR ORDER	OUTPUT		RATE VOLTAGE	IE CODE-RATED EFF.						MASS(Kg)
	kW	POLE		50Hz			60Hz			
				200V	380V	400V	415V	200V	400V	
	2.2	4	200V 50Hz 200V 60Hz	IE3-88.2%	-	-	-	IE3-89.9%	-	29
	2.2	4	380/400/415V 50Hz 400V 60Hz	-	IE3-88.1%	IE3-88.2%	IE3-87.5%	-	IE3-89.9%	29

MITSUBISHI ELECTRIC AUTOMATION(THAILAND)CO.,LTD



DIMENSION IN mm.

SCALE : NTS

OUTLINE DRAWING NO.

0 N M 0 4 0 2 5 9

REV.

\*