



MITSUBISHI ELECTRIC AUTOMATION (THAILAND) CO., LTD.

Bang-Chan Industrial Estate No. 111 Moo 4, Serithai Rd., T.Kannayao, A.Kannayao, BKK 10230 Thailand
 Tel: (66) 2517-1326, (66) 2919-9873 Fax: (66) 2517-1328 URL: www.meath-co.com E-mail: support@meath.co.th

บริษัท มิตซูบิชิ อิเล็กทริก ออโตเมชัน (ประเทศไทย) จำกัด

นิติบุคคลสาขารวมบางชิ้น เลขที่ 111 หมู่ 4 ถนนเสรีไทย แขวงคันเนาชาว เขตคันเนาชาว กทม. 10230

โทรศัพท์: (66) 2517-1326, (66) 2919-9873 โทรสาร: (66) 2517-1328 URL: www.meath-co.com E-mail: support@meath.co.th

MOTOR SPECIFICATION SHEET

MODEL : SF-PRB 7.5kW 4P
 USED FOR : 380V 50Hz
 MANUFACTURER : MITSUBISHI ELECTRIC CORPORATION

DESCRIPTION	DETAIL
PHASE	3
MODEL NAME	SF-PRB
RATED OUTPUT	7.5 kW
POLE	4
CODE	
OUTLINE DRAWING NO.	BD39468-*
RATED VOLTAGE (V)	380
RATED FREQUENCY (Hz)	50
RATED CURRENT (A)	15.1
RATED SPEED (min ⁻¹)	1460
RATED EFFICIENCY	90.9%
EFFICIENCY CLASS	IE3
THERMAL CLASS	130 (B)
RATING	S1 (CONTINUOUS)
ENCLOSURE CONSTRUCTION	TOTALLY ENCLOSED FAN COOLED
DEGREES OF PROTECTION	IP44
METHOD OF COOLING	IC411
FRAME NO.	132M
WEIGHT (kg)	78
STANDARD	JIS C 4213, JEC-2137-2000
INSTALLATION	FOOT MOUNTED
ROTATION	CCW (VIEWED FROM SHAFT END)
BEARING	LOAD SIDE : 6308ZZ
	OPPOSITE SIDE : 6208ZZ
BEARING GREASE	UREA GREASE
NOISE (dB.A)*	56
VIBRATION	V10
CIRCUMSTANCE CONDITION	AMBIENT TEMPERATURE : -20 ~ +40°C
	AMBIENT HUMIDITY : 95% RH (NO CONDENSATION)
	ABOVE SEA LEVEL : 1000m OR BELOW
	ENVIRONMENT : NO CORROSIVE/EXPLOSIVE GAS, NO STEAM OR CONDENSATION, MINIMAL DUST.
COLOR	MUNSELL N7 (GRAY)
TERMINAL BOX	NO. OF LEAD WIRES : MOTOR = 6 , BRAKE = 3
	SOURCE CONNECTION : TERMINAL BLOCK
SHAFT SWING	≤0.03mm
MATERIAL	FRAME : STEEL PLATE
	BRACKET LOAD SIDE : ALUMINIUM
	OPPOSITE SIDE : CAST IRON
	SHAFT : CARBON STEEL
	STATOR CORE : ELECTRICAL STEEL
	WIRE : ENAMELLED COPPER MAGNET WIRE
	ROTOR CORE : ELECTRICAL STEEL
	CONDUCTOR : ALUMINIUM
	TERMINAL BOX : STEEL PLATE
	PAINTING : ACRYLIC RESIN
BRAKE	TYPE : TB-A7.5H (DC)
	RATED BRAKING TORQUE : 75 N.m
	POWER SUPPLY UNIT : PROVIDED BY BUILT INTO MOTOR.
PRODUCTION COUNTRY	JAPAN

*Value indicates representative value, not guaranteed value.

Specifications subject to change without notice.

SPECIFICATION SHEET NO.				
SS-M-2694-A				

TYPE SF-PRB SUPER-LINE THREE PHASE INDUCTION MOTOR

OUT LINE
DIMENSION IN mm

INDOOR USE TYPE

TOTALLY ENCLOSED FAN COOLED
 PROTECTION DEGREE: IP44 (BRAKE: IP20)
 COOLING METHOD: IC411
 WITH TYPE TB-A7.5 ELECTROMAGNETIC BRAKE
 BRAKING TORQUE 75N·m FRAME NO. 132M

CUSTOMER

USER

FOR

CUST' S ORDER NO.

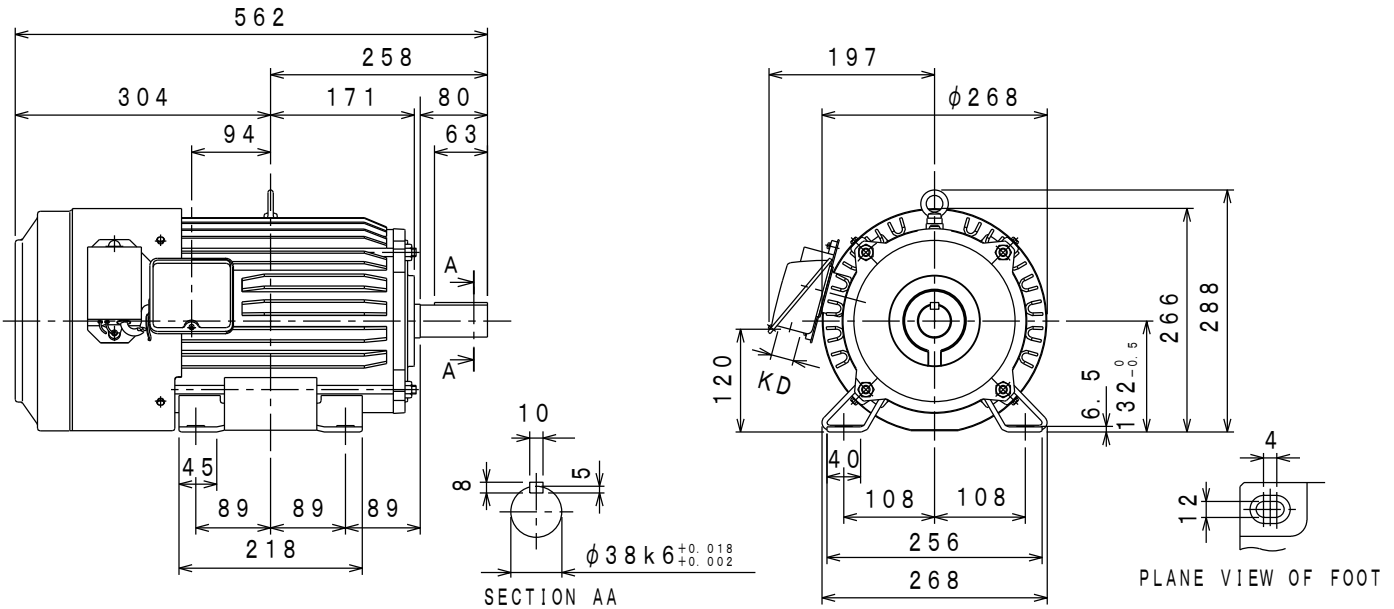
QUANTITY

UNIT (S)

MFG ORDER NO.

YOUR ORDER	KW · POLES	VOLT	HERTZ	MASS kg/UNIT	STYLE NO.
	7.5kW 4P	380V	50Hz	78	

IE Code-Rated Eff	
7.5kW 4P	IE3-90.9%



RATING	TH. CLASS	AMB. TEMP	BEARINGS		NO. OF TERMINALS		VIEWED FROM DRIVE END		COLOUR	KD	BRAKING TORQUE
			LOAD SIDE	OPPOSITE SIDE	MOTOR	BRAKE	DIRECT. OF TERMINAL BOX	ROTATION			
S1	130 (B)	40° C	6308ZZ	6208ZZ	6	3	A (LEFT)	CCW	MUNSELL N7	φ27	ABOVE 150%

NOTE: 1. LEADS FOR MAIN POWER AND BRAKE ARE CONNECTED WITH TERMINAL BOARD, AND BRAKE IS TURNED OFF AT THE SAME TIME WITH MAIN POWER.

IN CONNECTING THEM SEPARATELY, REMOVE BRAKE LEADS FROM TERMINAL BOARD.

2. WITH POWER-SUPPLY UNIT FOR BRAKE. (OVER-EXCITATION TYPE)

3. PLEASE REFER TO BD08258 FOR THE BRAKE CONNECTING WIRES.

	DRAWN	APPROVED
SCALE NTS		
DATE Mar. 14. '19		

MITSUBISHI ELECTRIC CORP., JAPAN
NAGOYA WORKS

CHANGE			

图面
番号
DWG. BD39468-*NO.

CAD(2D)