



MITSUBISHI ELECTRIC AUTOMATION (THAILAND) CO., LTD.
 Bang-Chan Industrial Estate No. 111 Moo 4, Serithai Rd., T.Kannayao, A.Kannayao, BKK 10230 Thailand
 Tel: (66) 2517-1326, (66) 2919-9873 Fax: (66) 2517-1328 URL: www.meath-co.com E-mail: support@meath.co.th
บริษัท มิตซูบิชิ อิเล็กทริค ออโตเมชัน (ประเทศไทย) จำกัด
 นิคมอุตสาหกรรมบางชัน เลขที่ 111 หมู่ 4 ถนนเสรีไทย แขวงคันนายาว เขตคันนายาว กทม. 10230
 โทรศัพท์: (66) 2517-1326, (66) 2919-9873 โทรสาร: (66) 2517-1328 URL: www.meath-co.com E-mail: support@meath.co.th

MOTOR SPECIFICATION SHEET

MODEL : SF-PRP 18.5kW 4P
 USED FOR : 380V 50Hz
 MANUFACTURER : MITSUBISHI ELECTRIC CORPORATION

DESCRIPTION	DETAIL
PHASE	3
MODEL NAME	SF-PRP
RATED OUTPUT	18.5 kW
POLE	4
CODE	
OUTLINE DRAWING NO.	BD39335-*
RATED VOLTAGE (V)	380
RATED FREQUENCY (Hz)	50
RATED CURRENT (A)	35.5
RATED SPEED (min ⁻¹)	1475
RATED EFFICIENCY	93.8%
EFFICIENCY CLASS	IE3
THERMAL CLASS	130 (B)
RATING	S1 (CONTINUOUS)
ENCLOSURE CONSTRUCTION	TOTALLY ENCLOSED FAN COOLED
DEGREES OF PROTECTION	IP55
METHOD OF COOLING	IC411
FRAME NO.	180M
WEIGHT (kg)	150
STANDARD	JIS C 4213, JEC-2137-2000
INSTALLATION	FOOT MOUNTED
ROTATION	CCW (VIEWED FROM SHAFT END)
BEARING	LOAD SIDE : 6311ZZ OPPOSITE SIDE : 6310ZZ
BEARING GREASE	UREA GREASE
NOISE (dB.A)*	66
VIBRATION	V15
CIRCUMSTANCE	AMBIENT TEMPERATURE : -30 ~ +40°C
CONDITION	AMBIENT HUMIDITY : 100% RH (NO CONDENSATION) ABOVE SEA LEVEL : 1000m OR BELOW ENVIRONMENT : NO CORROSIVE/EXPLOSIVE GAS, NO STEAM OR CONDENSATION, MINIMAL DUST.
COLOR	MUNSELL N7 (GRAY)
TERMINAL BOX	NO. OF LEAD WIRES : 6 SOURCE CONNECTION : LEAD WIRES
SHAFT SWING	≤0.05mm
MATERIAL	FRAME : STEEL PLATE BRACKET : ALUMINIUM SHAFT : CARBON STEEL STATOR CORE : ELECTRICAL STEEL WIRE : ENAMELLED COPPER MAGNET WIRE ROTOR CORE : ELECTRICAL STEEL CONDUCTOR : ALUMINIUM TERMINAL BOX : STEEL PLATE PAINTING : POLYURETHANE RESIN
PRODUCTION COUNTRY	JAPAN

*Value indicates representative value, not guaranteed value.

Specifications subject to change without notice.

SPECIFICATION SHEET NO.				
SS-M-3640-A				

TYPE SF-PRP SUPER-LINE THREE PHASE INDUCTION MOTOR

OUT LINE
DIMENSION IN mm

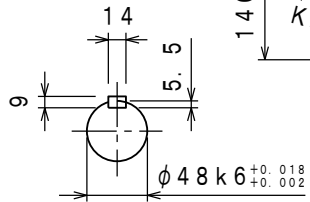
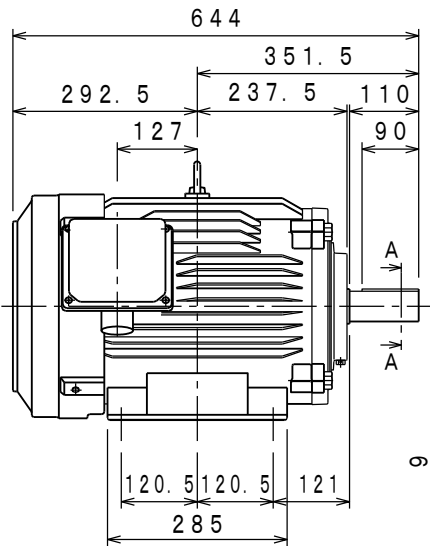
WATER PROOF TYPE, DUST PROOF TYPE

TOTALLY ENCLOSED FAN COOLED
PROTECTION DEGREE IP55 , COOLING METHOD IC411
FRAME NO. 180M

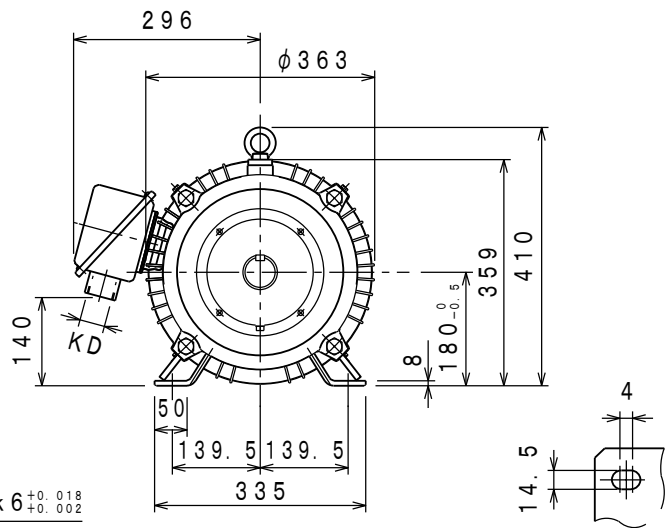
CUSTOMER _____
USER _____
FOR _____
CUST'S ORDER NO. _____
QUANTITY _____ UNIT (S) _____
MFG ORDER NO. _____

YOUR ORDER	kW · POLES	VOLT	HERTZ	MASS kg/UNIT	STYLE NO.
	18.5kW 4P	380V	50Hz		

IE Code-Rated Eff		
18.5kW	4P	IE3-93.8%



SECTION AA



PLANE VIEW OF FOOT

RATING	TH. CLASS	AMB. TEMP	BEARINGS		NO. OF TERMINALS	VIEWED FROM DRIVE END		COLOUR	KD
			LOAD SIDE	OPPOSITE SIDE		DIRECT. OF TERMINAL BOX	ROTATION		
S1	130 (B)	40° C	6311ZZ	6210ZZ	6	A (LEFT)	CCW	MUNSELL N7	PF1 1/2 SCREW

	DRAWN	APPROVED
SCALE NTS		
DATE MAR. 08. '19		

MITSUBISHI ELECTRIC CORP., JAPAN
NAGOYA WORKS

CHANGE			

图面
番号
NO. **BD39335-***

CAD(2D)