



MITSUBISHI ELECTRIC AUTOMATION (THAILAND) CO., LTD.
 Bang-Chan Industrial Estate No. 111 Moo 4, Serithai Rd., T.Kannayao, A.Kannayao, BKK 10230 Thailand
 Tel: (66) 2517-1326, (66) 2919-9873 Fax: (66) 2517-1328 URL: www.meath-co.com E-mail: support@meath.co.th

บริษัท มิตซูบิชิ อิเล็กทริก ออโตเมชั่น (ประเทศไทย) จำกัด

นิติบุคคลสาขารวมบางชิ้น เลขที่ 111 หมู่ 4 ถนนเสรีไทย แขวงคันนายาว เขตคันนายาว กทม. 10230

โทรศัพท์: (66) 2517-1326, (66) 2919-9873 โทรสาร: (66) 2517-1328 URL: www.meath-co.com E-mail: support@meath.co.th

MOTOR SPECIFICATION SHEET

MODEL : SF-PRP 45kW 4P
 USED FOR : 380V 50Hz
 MANUFACTURER : MITSUBISHI ELECTRIC CORPORATION

DESCRIPTION	DETAIL
PHASE	3
MODEL NAME	SF-PRP
RATED OUTPUT	45 kW
POLE	4
CODE	
OUTLINE DRAWING NO.	BD39347-*
RATED VOLTAGE (V)	380
RATED FREQUENCY (Hz)	50
RATED CURRENT (A)	86.5
RATED SPEED (min ⁻¹)	1480
RATED EFFICIENCY	95.1%
EFFICIENCY CLASS	IE3
THERMAL CLASS	155 (F)
RATING	S1 (CONTINUOUS)
ENCLOSURE CONSTRUCTION	TOTALLY ENCLOSED FAN COOLED
DEGREES OF PROTECTION	IP55
METHOD OF COOLING	IC411
FRAME NO.	200LD
WEIGHT (kg)	325
STANDARD	JIS C 4213, JEC-2137-2000
INSTALLATION	FOOT MOUNTED
ROTATION	CCW (VIEWED FROM SHAFT END)
BEARING	LOAD SIDE : 6315ZZ
	OPPOSITE SIDE : 6312ZZ
BEARING GREASE	UREA GREASE
NOISE (dB.A)*	73
VIBRATION	V15
CIRCUMSTANCE CONDITION	AMBIENT TEMPERATURE : -30 ~ +40°C
	AMBIENT HUMIDITY : 100% RH (NO CONDENSATION)
	ABOVE SEA LEVEL : 1000m OR BELOW
	ENVIRONMENT : NO CORROSIVE/EXPLOSIVE GAS, NO STEAM OR CONDENSATION, MINIMAL DUST.
COLOR	MUNSELL N7 (GRAY)
TERMINAL BOX	NO. OF LEAD WIRES : 6**
	SOURCE CONNECTION : LEAD WIRES
SHAFT SWING	≤0.05mm
MATERIAL	FRAME : STEEL PLATE
	BRACKET : CAST IRON
	SHAFT : CARBON STEEL
	STATOR CORE : ELECTRICAL STEEL
	WIRE : ENAMELLED COPPER MAGNET WIRE
	ROTOR CORE : ELECTRICAL STEEL
	CONDUCTOR : ALUMINIUM
	TERMINAL BOX : CAST IRON
	PAINTING : POLYURETHANE RESIN
PRODUCTION COUNTRY	JAPAN

*Value indicates representative value, not guaranteed value.

**Motor have total 12 lead wires, but only 6 lead wires are used for source connection.

Specifications subject to change without notice.

SPECIFICATION SHEET NO.				
SS-M-4644-A				

TYPE SF-PRP SUPER-LINE THREE PHASE INDUCTION MOTOR

OUT LINE
DIMENSION IN mm

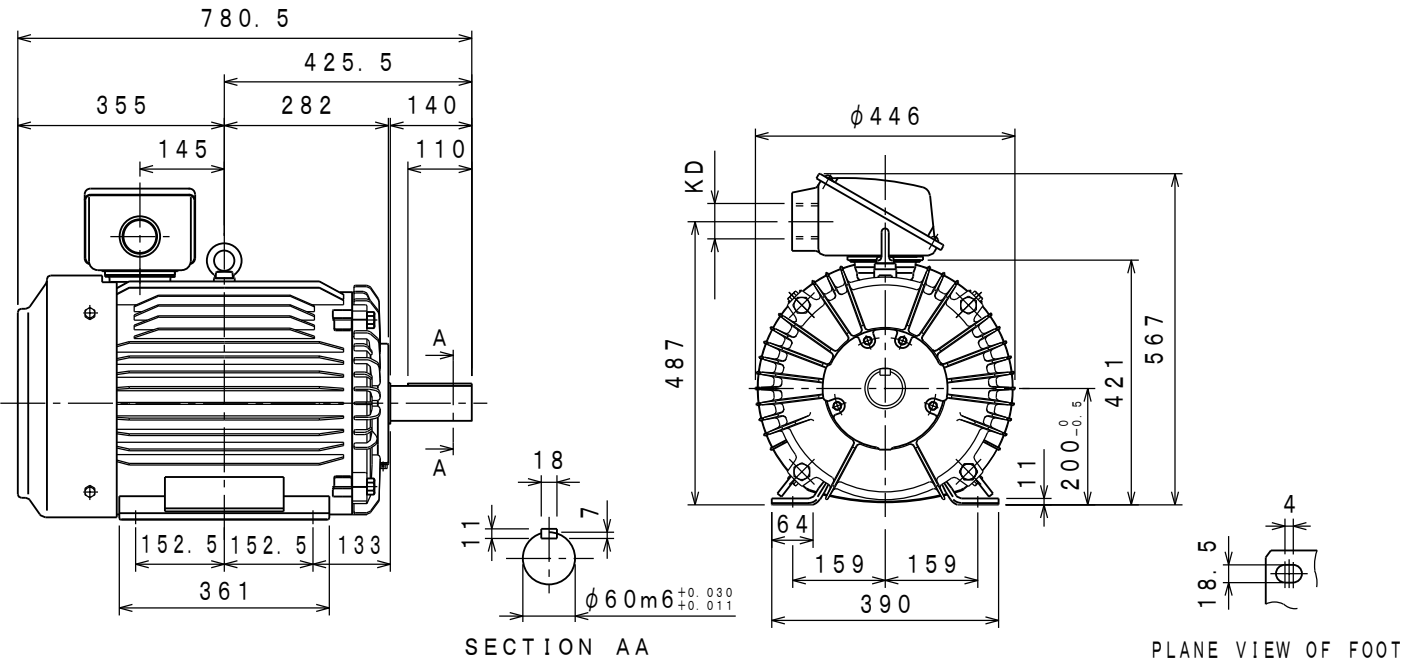
WATER PROOF TYPE, DUST PROOF TYPE

TOTALLY ENCLOSED FAN COOLED
PROTECTION DEGREE IP55 , COOLING METHOD IC411
FRAME NO. 200LD

CUSTOMER _____
USER _____
FOR _____
CUST'S ORDER NO. _____
QUANTITY _____ UNIT (S) _____
MFG ORDER NO. _____

YOUR ORDER	kW · POLES	VOLT	HERTZ	MASS kg/UNIT	STYLE NO.
	45kW 4P	380V	50Hz	355	

IE Code-Rated Eff		
45kW	4P	IE3-95.1%



RATING	TH. CLASS	AMB. TEMP	BEARINGS		NO. OF TERMINALS	VIEWED FROM DRIVE END		COLOUR	KD
			LOAD SIDE	OPPOSITE SIDE		DIRECT. OF TERMINAL BOX	ROTATION		
S1	155 (F)	40° C	6315ZZ	6312ZZ	6	A (LEFT)	CCW	MUNSELL N7	PF2 SCREW

	DRAWN	APPROVED
SCALE NTS		
DATE MAR. 08. '19		

CAD(2D)

MITSUBISHI ELECTRIC CORP., JAPAN
NAGOYA WORKS

CHANGE			

図面
番号
NO. **BD39347-***