



MITSUBISHI ELECTRIC AUTOMATION (THAILAND) CO., LTD.

Bang-Chan Industrial Estate No. 111 Moo 4, Serithai Rd., T.Kannayao, A.Kannayao, BKK 10230 Thailand

Tel: (66) 2517-1326, (66) 2919-9873 Fax: (66) 2517-1328 URL: www.meath-co.com E-mail: support@meath.co.th

บริษัท มิตซูบิชิ อิเล็กทริก ออโตเมชัน (ประเทศไทย) จำกัด

นิติบุคคลสาขาระบบงาน เลขที่ 111 หมู่ 4 ถนนเสรีไทย แขวงคันนายาว เขตคันนายาว กทม. 10230

โทรศัพท์: (66) 2517-1326, (66) 2919-9873 โทรสาร: (66) 2517-1328 URL: www.meath-co.com E-mail: support@meath.co.th

MOTOR SPECIFICATION SHEET

MODEL : SF-PRV 3.7kW 4P

USED FOR : 400V CLASS

MANUFACTURER : MITSUBISHI ELECTRIC AUTOMATION (THAILAND) CO.,LTD.

| DESCRIPTION | DETAIL | | | | |
|----------------------------------|---|-------|-------|-------|--|
| PHASE | 3 | | | | |
| MODEL NAME | SF-PRV | | | | |
| RATED OUTPUT | 3.7 kW | | | | |
| POLE | 4 | | | | |
| CODE | MEATH CODE : 1M002V-400370LINGO | | | | |
| OUTLINE DRAWING NO. | ONM14O631-A | | | | |
| RATED VOLTAGE (V) | 380 | 400 | 415 | 400 | |
| RATED FREQUENCY (Hz) | 50 | 50 | 50 | 60 | |
| RATED CURRENT (A) | 7.8 | 7.7 | 7.5 | 7.2 | |
| RATED SPEED (min ⁻¹) | 1445 | 1450 | 1455 | 1745 | |
| RATED EFFICIENCY | 88.6% | 89.2% | 89.4% | 89.8% | |
| EFFICIENCY CLASS | IE3 | | | | |
| THERMAL CLASS | 120 (E) | | | | |
| RATING | S1 (CONTINUOUS) | | | | |
| ENCLOSURE CONSTRUCTION | TOTALLY ENCLOSED FAN COOLED | | | | |
| DEGREES OF PROTECTION | IP44 | | | | |
| METHOD OF COOLING | IC411 | | | | |
| FRAME NO. | 112M | | | | |
| WEIGHT (kg) | 43 | | | | |
| STANDARD | JIS C 4213 / JEC-2110:2017 | | | | |
| INSTALLATION | FLANGE MOUNTED (VERTICAL) | | | | |
| ROTATION | CCW (VIEWED FROM SHAFT END) | | | | |
| BEARING | LOAD SIDE : 6207ZZ | | | | |
| | OPPOSITE SIDE : 6206ZZ | | | | |
| BEARING GREASE | UREA GREASE | | | | |
| NOISE (dB.A)* | 50Hz : 57 / 60Hz : 61 | | | | |
| VIBRATION | V10 | | | | |
| CIRCUMSTANCE CONDITION | AMBIENT TEMPERATURE : -30 ~ +40°C | | | | |
| | AMBIENT HUMIDITY : 100% RH (NO CONDENSATION) | | | | |
| | ABOVE SEA LEVEL : 1000m OR BELOW | | | | |
| | ENVIRONMENT : NO CORROSIVE/EXPLOSIVE GAS, NO STEAM OR CONDENSATION, MINIMAL DUST. | | | | |
| COLOR | MUNSELL N7 (GRAY) | | | | |
| TERMINAL BOX | NO. OF LEAD WIRES : 3 | | | | |
| | SOURCE CONNECTION : TERMINAL BLOCK | | | | |
| SHAFT SWING | ≤0.03mm | | | | |
| MATERIAL | FRAME : STEEL PLATE | | | | |
| | BRACKET LOAD SIDE : CAST IRON (FLANGE) | | | | |
| | OPPOSITE SIDE : ALUMINIUM | | | | |
| | SHAFT : CARBON STEEL | | | | |
| | STATOR CORE : ELECTRICAL STEEL | | | | |
| | WIRE : ENAMELLED COPPER MAGNET WIRE | | | | |
| | ROTOR CORE : ELECTRICAL STEEL | | | | |
| | CONDUCTOR : ALUMINIUM | | | | |
| | TERMINAL BOX : STEEL PLATE | | | | |
| | PAINTING : ALKYD-NITROCELLULOSE RESIN | | | | |
| PRODUCTION COUNTRY | THAILAND | | | | |

*Value indicates representative value, not guaranteed value.

Specifications subject to change without notice.

| | | | | |
|--------------------------------|--|--|--|--|
| SPECIFICATION SHEET NO. | | | | |
| SS-N-1324-A | | | | |

MODEL SF-PRV THREE PHASE INDUCTION MOTOR OUTLINE DRAWING

INDOOR MOTOR

TOTALLY ENCLOSED FAN COOLED TYPE

DEGREES OF PROTECTION IP44

FLANGE NO. FF215

CUSTOMER _____

USER _____

FOR _____

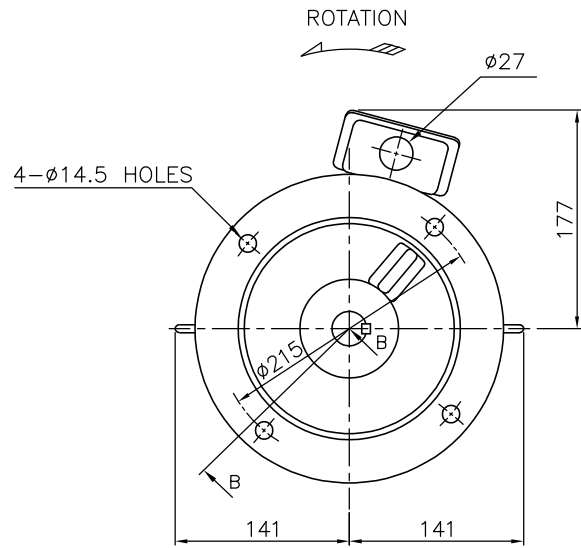
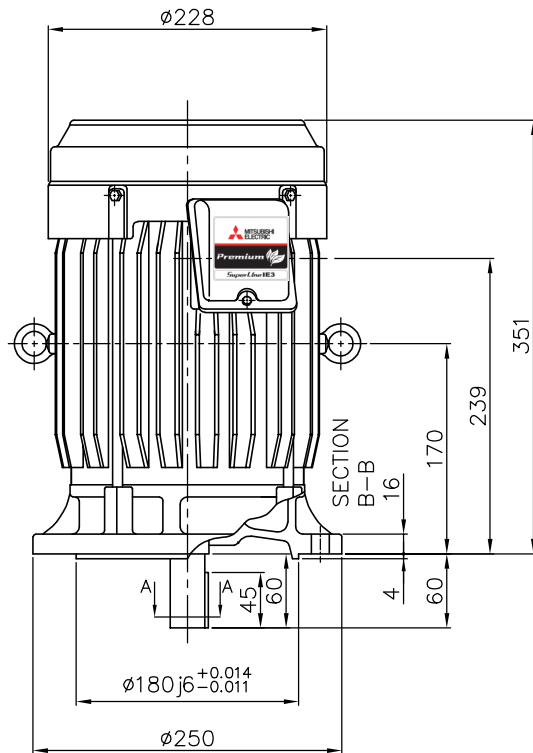
CUSTOMER'S

ORDER NO. _____

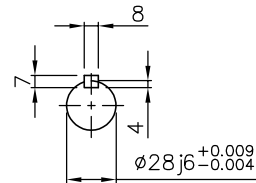
QUANTITY _____

MFG.

ORDER NO. _____



BOTTOM VIEW OF SHAFT END



SECTION A-A

| FRAME SIZE | RATING | TH. CLASS | AMB. TEMP. | BEARINGS | | COLOR | DIRECTION OF ROTATION (VIEWED FROM SHAFT END) | NO. OF TERMINALS | REMARKS |
|------------|------------|-----------|------------|-----------|-----------|-------------------|---|------------------|---------|
| | | | | LOAD SIDE | OPP. SIDE | | | | |
| 112M | S1 (CONT.) | 120(E) | 40°C | 6207ZZ | 6206ZZ | GRAY (MUNSELL N7) | CCW | 3 | |

| OUTPUT kW | POLE | RATE VOLTAGE | IE CODE-RATED EFF. | | | | MASS(kg) |
|-----------|------|--------------------------------|--------------------|-----------|-----------|-----------|----------|
| | | | 50Hz | | 60Hz | | |
| 3.7 | 4 | 380/400/415V 50Hz 400V 60Hz | 380V | 400V | 415V | 400V | 43 |
| | | | IE3-88.6% | IE3-89.2% | IE3-89.4% | IE3-89.8% | |

MITSUBISHI ELECTRIC AUTOMATION(THAILAND)CO.,LTD

| | | | |
|--|------------------|---------------------|------|
| | DIMENSION IN mm. | OUTLINE DRAWING NO. | REV. |
| | SCALE : NTS | ONM140631 | A |