

**MOTOR SPECIFICATION SHEET**

MODEL : SCLF-QR 1.5HP 4P

USED FOR : STANDARD

DESCRIPTION	DETAIL				
PHASE	1				
TYPE	CAPACITOR START AND RUN				
MODEL NAME	SCLF-QR				
RATED OUTPUT, HP (kW)	1.5 (1.1)				
POLE	4				
CODE	MEATH CODE : 1M001D-400120QREU1				
OUTLINE DRAWING NO.	ONM94O544-*				
RATED VOLTAGE (V)	220	230	220		
RATED FREQUENCY (Hz)	50	50	60		
RATED CURRENT (A)	7.8	8.1	6.6		
RATED SPEED (min <sup>-1</sup> )	1445	1450	1745		
RATED EFFICIENCY (%)	75.0	75.0	79.0		
EFFICIENCY CLASS	IE1				
THERMAL CLASS	155(F)				
RATING	S1 (CONTINUOUS)				
ENCLOSURE CONSTRUCTION	TOTALLY ENCLOSED FAN COOLED				
DEGREES OF PROTECTION	IP55				
METHOD OF COOLING	IC411				
FRAME NO.	90L				
WEIGHT (kg)	18				
STANDARD	JEC-2137-2000				
EFFICIENCY RULE	IEC 60034-30-1				
INSTALLATION	FOOT MOUNTED				
ROTATION	CCW (VIEWED FROM SHAFT END)				
BEARING	LOAD SIDE : 6205ZZ				
	OPPOSITE SIDE : 6203ZZ				
BEARING GREASE	UREA GREASE				
NOISE (db.A)	63				
VIBRATION	V20				
CIRCUMSTANCE CONDITION	AMBIENT TEMPERATURE : -20 ~ +40°C				
	AMBIENT HUMIDITY : 95%RH OR LESS				
	ABOVE SEA LEVEL : 1000m OR LESS				
	ENVIRONMENT : NO BURSTING/EROSIVE GAS OR VAPOR				
COLOR	MUNSELL N1.5 (BLACK)				
TERMINAL BOX	NO. OF LEAD WIRES : 4				
	SOURCE CONNECTION : LEAD WIRES				
SHAFT SWING	≤0.03mm				
MATERIAL	FRAME : STEEL PLATE				
	BRACKET : ALUMINIUM				
	SHAFT : CARBON STEEL				
	STATOR CORE : ELECTRICAL STEEL				
	WIRE : ENAMELLED COPPER MAGNET WIRE				
	ROTOR CORE : ELECTRICAL STEEL				
	CONDUCTOR : ALUMINIUM				
	TERMINAL BOX : STEEL PLATE				
PAINTING : POLYURETHANE RESIN					
PRODUCTION COUNTRY	THAILAND				

Specifications subject to change without notice.

<b>SPECIFICATION SHEET NO.</b>				
SS-N-9171-A				

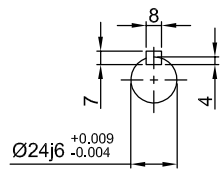
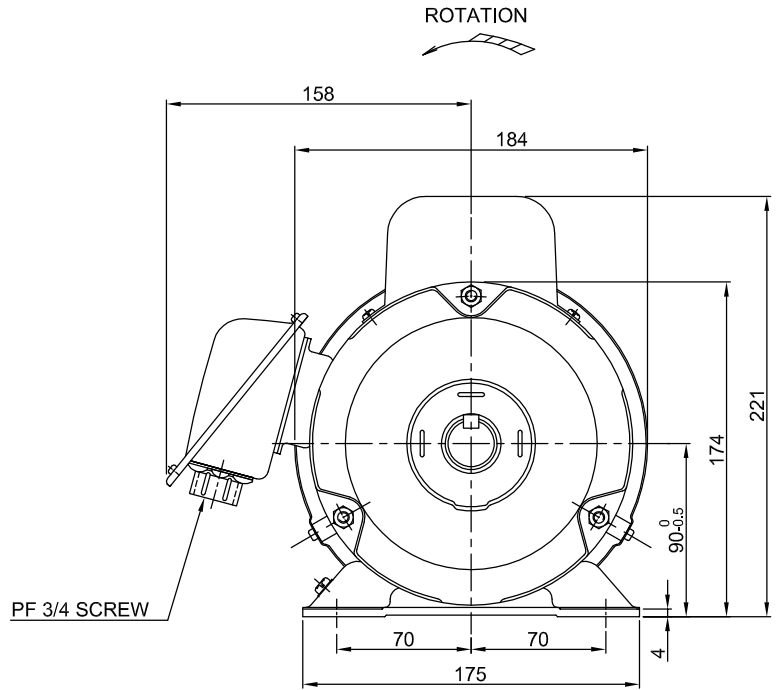
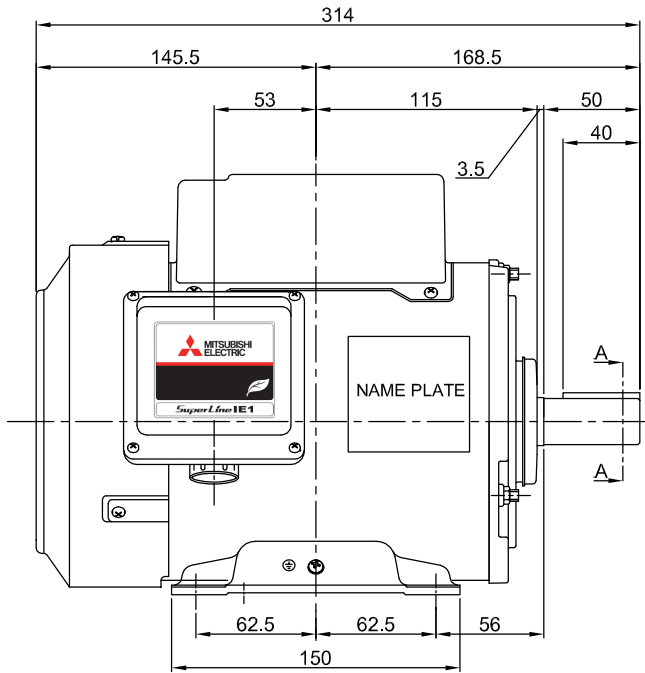
# MODEL SCLF-QR SINGLE PHASE INDUCTION MOTOR

# OUTLINE DRAWING

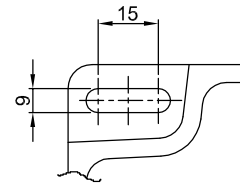
CAPACITOR START AND RUN TYPE  
 TOTALLY ENCLOSED FAN COOLED  
 DEGREES OF PROTECTION IP55  
 DUST & WATER JET PROOF

STARTING CAPACITOR	125uF 250VAC
RUNNING CAPACITOR	18.5uF 450VAC

CUSTOMER \_\_\_\_\_  
 USER \_\_\_\_\_  
 FOR \_\_\_\_\_  
 CUSTOMER'S ORDER NO. \_\_\_\_\_  
 QUANTITY \_\_\_\_\_  
 MFG. ORDER NO. \_\_\_\_\_



SECTION A-A

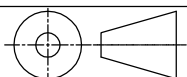


FRAME FOOT AS VIEWED FROM BELOW

FRAME SIZE	RATING	TH. CLASS	AMB. TEMP.	BEARINGS		COLOR	DIRECTION OF ROTATION	NO. OF LEAD WIRES
				LOAD SIDE	OPP. SIDE			
90L	S1	155(F)	40°C	6205ZZ	6203ZZ	BLACK (MUNSELL N1.5)	CCW	4

OUTPUT		POLE	VOLT	HERTZ	AMP	RPM	IE CODE - RATED EFF.	REMARK
HP	kW							
1.5	1.1	4	220/230	50	7.8/8.1	1445/1450	IE1-75.0% / IE1-75.0%	
			220	60	6.6	1745	IE1-79.0%	

MITSUBISHI ELECTRIC AUTOMATION (THAILAND) CO., LTD.



OUTLINE DRAWING NO.

REV.

DIMENSION IN mm.

**O N M 9 4 0 5 4 4**

**\***

SCALE : NTS