

MOTOR SPECIFICATION SHEET

MODEL : SCLF-QR 2HP 4P

USED FOR : STANDARD

DESCRIPTION	DETAIL				
PHASE	1				
TYPE	CAPACITOR START AND RUN				
MODEL NAME	SCLF-QR				
RATED OUTPUT, HP (kW)	2 (1.5)				
POLE	4				
CODE	MEATH CODE : 1M001D-400150QREU1				
OUTLINE DRAWING NO.	ONM04O546-*				
RATED VOLTAGE (V)	220	230	220		
RATED FREQUENCY (Hz)	50	50	60		
RATED CURRENT (A)	10.3	10.4	8.8		
RATED SPEED (min ⁻¹)	1450	1450	1750		
RATED EFFICIENCY (%)	77.2	77.2	81.5		
EFFICIENCY CLASS	IE1				
THERMAL CLASS	155(F)				
RATING	S1 (CONTINUOUS)				
ENCLOSURE CONSTRUCTION	TOTALLY ENCLOSED FAN COOLED				
DEGREES OF PROTECTION	IP55				
METHOD OF COOLING	IC411				
FRAME NO.	100L				
WEIGHT (kg)	24.6				
STANDARD	JEC-2137-2000				
EFFICIENCY RULE	IEC 60034-30-1				
INSTALLATION	FOOT MOUNTED				
ROTATION	CCW (VIEWED FROM SHAFT END)				
BEARING	LOAD SIDE : 6206ZZ				
	OPPOSITE SIDE : 6205ZZ				
BEARING GREASE	UREA GREASE				
NOISE (db.A)	63				
VIBRATION	V20				
CIRCUMSTANCE CONDITION	AMBIENT TEMPERATURE : -20 ~ +40°C				
	AMBIENT HUMIDITY : 95%RH OR LESS				
	ABOVE SEA LEVEL : 1000m OR LESS				
	ENVIRONMENT : NO BURSTING/EROSIVE GAS OR VAPOR				
COLOR	MUNSELL N1.5 (BLACK)				
TERMINAL BOX	NO. OF LEAD WIRES : 4				
	SOURCE CONNECTION : LEAD WIRES				
SHAFT SWING	≤0.03mm				
MATERIAL	FRAME : STEEL PLATE				
	BRACKET : ALUMINIUM				
	SHAFT : CARBON STEEL				
	STATOR CORE : ELECTRICAL STEEL				
	WIRE : ENAMELLED COPPER MAGNET WIRE				
	ROTOR CORE : ELECTRICAL STEEL				
	CONDUCTOR : ALUMINIUM				
	TERMINAL BOX : STEEL PLATE				
PAINTING : POLYURETHANE RESIN					
PRODUCTION COUNTRY	THAILAND				

Specifications subject to change without notice.

SPECIFICATION SHEET NO.				
SS-N-0173-A				

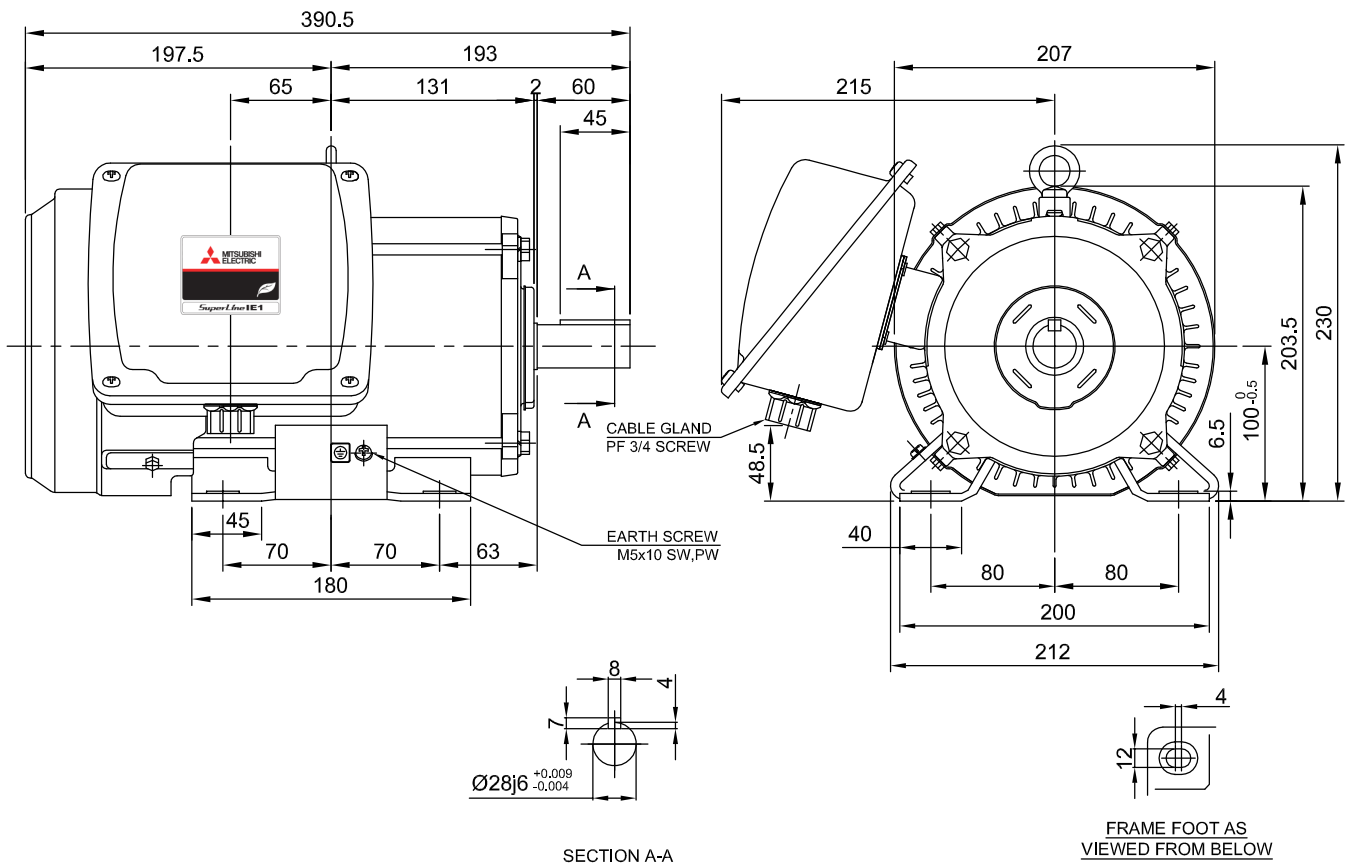
MODEL SCLF-QR SINGLE PHASE INDUCTION MOTOR OUTLINE DRAWING

CAPACITOR START AND RUN TYPE
 TOTALLY ENCLOSED FAN COOLED
 DEGREES OF PROTECTION IP55
 DUST & WATER JET PROOF

CUSTOMER _____
 USER _____
 FOR _____
 CUSTOMER'S ORDER NO. _____
 QUANTITY _____
 MFG. ORDER NO. _____

STARTING CAPACITOR	200 μ F 250 VAC
RUNNING CAPACITOR	21.5 μ F 450 VAC

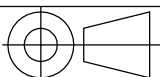
ROTATION



FRAME SIZE	RATING	TH. CLASS	AMB. TEMP.	BEARINGS		COLOR	DIRECTION OF ROTATION	NO. OF LEAD WIRE
				LOAD SIDE	OPP. SIDE			
100L	S1	155(F)	40°C	6206ZZ	6205ZZ	BLACK (MUNSELL N1.5)	CCW	4

OUTPUT		POLE	VOLT	HERTZ	AMP	RPM	IE CODE - RATED EFF.	REMARK
HP	KW							
2	1.5	4	220/230	50	10.3/10.4	1450/1450	IE1- 77.2% / IE1- 77.2%	
			220	60	8.8	1750	IE1- 81.5%	

MITSUBISHI ELECTRIC AUTOMATION (THAILAND) CO.,LTD.



DIMENSION IN mm.
 SCALE : NTS.

OUTLINE DRAWING NO.

ONM040546

REV.

