

MOTOR SPECIFICATION SHEET

MODEL : SF-Q 20HP 2P (HT)

USED FOR : STANDARD

| DESCRIPTION | DETAIL | | |
|----------------------------------|---------------------------------|------------------------------------|--|
| PHASE | 3 | | |
| MODEL NAME | SF-Q | | |
| RATED OUTPUT, HP (kW) | 20 (15) | | |
| POLE | 2 | | |
| CODE | MEATH CODE : 1M002F-201500Q-MJO | | |
| OUTLINE DRAWING NO. | ONM34O302-D | | |
| RATED VOLTAGE (V) | 380 | 415 | |
| RATED FREQUENCY (Hz) | 50 | 50 | |
| RATED CURRENT (A) | 29.5 | 28.1 | |
| RATED SPEED (min ⁻¹) | 2910 | 2930 | |
| RATED EFFICIENCY (%) | 88.7 | 89.1 | |
| EFFICIENCY CLASS | IE1 | | |
| THERMAL CLASS | 155(F) | | |
| RATING | S1 (CONTINUOUS) | | |
| ENCLOSURE CONSTRUCTION | TOTALLY ENCLOSED FAN COOLED | | |
| DEGREES OF PROTECTION | IP55 | | |
| METHOD OF COOLING | IC411 | | |
| FRAME NO. | 160M | | |
| WEIGHT (kg) | 115 | | |
| STANDARD | IEC 60034-1, IEC 60034-30-1 | | |
| INSTALLATION | FOOT MOUNTED | | |
| ROTATION | CCW (VIEWED FROM SHAFT END) | | |
| BEARING | LOAD SIDE | : 6309ZZ | |
| | OPPOSITE SIDE | : 6308ZZ | |
| BEARING GREASE | UREA GREASE | | |
| NOISE (dB.A) | 87 | | |
| VIBRATION | V15 | | |
| CIRCUMSTANCE CONDITION | AMBIENT TEMPERATURE | : -20 ~ +40°C | |
| | AMBIENT HUMIDITY | : 95%RH OR LESS | |
| | ABOVE SEA LEVEL | : 1000m OR LESS | |
| | ENVIRONMENT | : NO BURSTING/EROSIVE GAS OR VAPOR | |
| COLOR | MUNSELL N1.5 (BLACK) | | |
| TERMINAL BOX | NO. OF LEAD WIRES | : 6 | |
| | SOURCE CONNECTION | : LEAD WIRES | |
| SHAFT SWING | ≤0.05mm | | |
| MATERIAL | FRAME | : CAST IRON | |
| | BRACKET | : CAST IRON | |
| | SHAFT | : CARBON STEEL | |
| | STATOR CORE | : ELECTRICAL STEEL | |
| | WIRE | : ENAMELLED COPPER MAGNET WIRE | |
| | ROTOR CORE | : ELECTRICAL STEEL | |
| | CONDUCTOR | : ALUMINIUM | |
| | TERMINAL BOX | : STEEL PLATE | |
| PAINING | : POLYURETHANE RESIN | | |
| PRODUCTION COUNTRY | THAILAND | | |

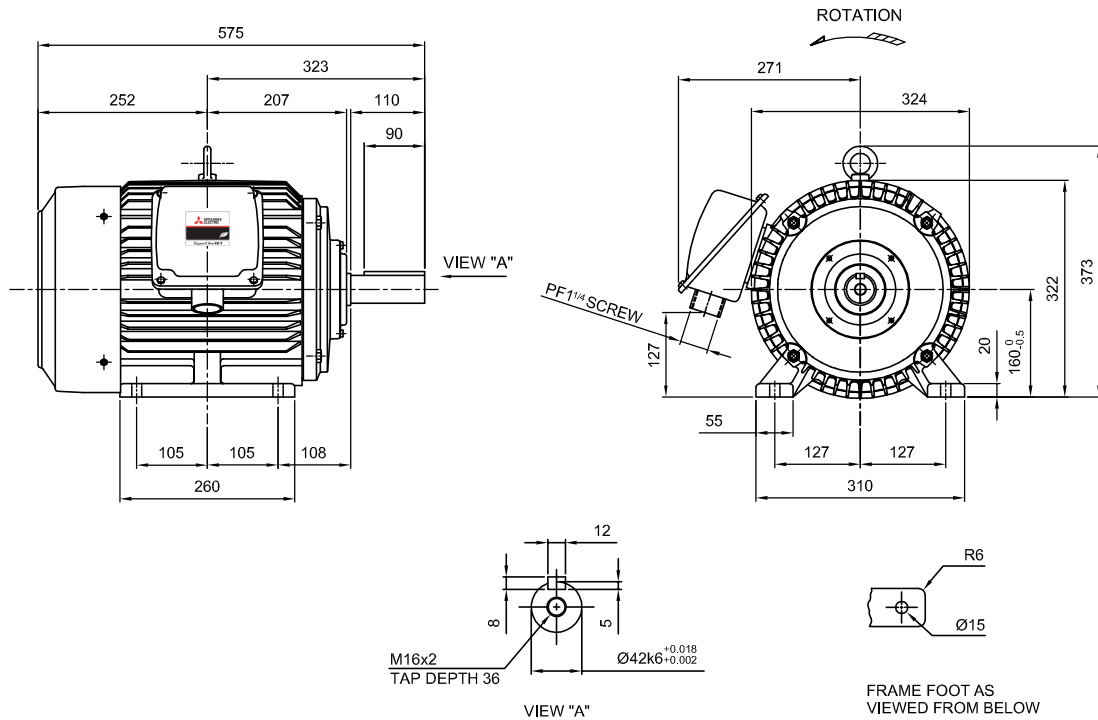
Specifications subject to change without notice.

| | | | | |
|--------------------------------|--|--|--|--|
| SPECIFICATION SHEET NO. | | | | |
| SS-N-3213-A | | | | |

MODEL **SF-Q** THREE PHASE INDUCTION MOTOR OUTLINE DRAWING

TOTALLY ENCLOSED FAN COOLED
 DEGREES OF PROTECTION IP55
 DUST & WATER JET PROOF

CUSTOMER _____
 USER _____
 FOR _____
 CUSTOMER'S _____
 ORDER NO. _____
 QUANTITY _____
 MFG. _____
 ORDER NO. _____



| YOUR ORDER | FRAME SIZE | RATING | TH. CLASS | AMB. TEMP. | BEARINGS | | COLOR | DIRECTION OF ROTATION (VIEWED FROM SHAFT END) | NO. OF LEAD WIRES | REMARKS |
|------------|------------|------------|-----------|------------|-----------|-----------|----------------------|---|-------------------|---------|
| | | | | | LOAD SIDE | OPP. SIDE | | | | |
| | 160M | S1 (CONT.) | 155(F) | 40°C | 6309ZZ | 6308ZZ | BLACK (MUNSELL N1.5) | CCW | 6 | |

| YOUR ORDER | OUTPUT | | POLES | VOLTS | HERTZ | AMP. | RPM | IE CODE-RATED EFF. | REMARKS |
|------------|--------|-----|-------|-------------|-------|----------------|----------------|-----------------------|---------|
| | HP | kW | | | | | | | |
| | 15 | 11 | 2 | 380/415 | 50 | 22.1/21.0 | 2915/2930 | IE1-87.6%/87.9% | HT |
| | 20 | 15 | 2 | 380/415 | 50 | 29.5/28.1 | 2910/2930 | IE1-88.7%/89.1% | HT |
| | 15 | 11 | 4 | 380/415 | 50 | 22.7/22.1 | 1455/1465 | IE1-87.6%/87.9% | HT |
| | 10 | 7.5 | 6 | 380/415 | 50 | 17.1/17.0 | 965/970 | IE1-84.7%/84.7% | HT |
| | 15 | 11 | 2 | 220/380/415 | 50 | 38.3/22.1/21.0 | 2915/2915/2930 | IE1-87.6%/87.6%/87.9% | LT |
| | 20 | 15 | 2 | 220/380/415 | 50 | 51.4/29.7/28.4 | 2910/2910/2930 | IE1-88.7%/88.7%/89.1% | LT |
| | 15 | 11 | 4 | 220/380/415 | 50 | 39.0/22.5/21.7 | 1455/1455/1465 | IE1-87.6%/87.6%/87.7% | LT |
| | 10 | 7.5 | 6 | 220/380/415 | 50 | 29.1/16.8/16.4 | 965/965/970 | IE1-84.7%/84.7%/85.2% | LT |

MITSUBISHI ELECTRIC AUTOMATION (THAILAND) CO., LTD.

| | | | |
|--|---------------------------------|---------------------|------|
| | DIMENSION IN mm. SCALE : NTS | OUTLINE DRAWING NO. | REV. |
| | | O N M 3 4 0 3 0 2 | D |