



MITSUBISHI ELECTRIC AUTOMATION (THAILAND) CO., LTD.

Bang-Chan Industrial Estate No. 111 Moo 4, Serithai Rd., T.Kannayao, A.Kannayao, BKK 10230 Thailand
 Tel: (66) 2517-1326, (66) 2919-9873 Fax: (66) 2517-1328 URL: www.meath-co.com E-mail: support@meath.co.th

บริษัท มิตซูบิชิ อิเล็กทริก ออโตเมชั่น (ประเทศไทย) จำกัด

นิติบุคคลสาขารวมบางชิ้น เลขที่ 111 หมู่ 4 ถนนเสรีไทย แขวงคันนายาว เขตคันนายาว กทม. 10230

โทรศัพท์: (66) 2517-1326, (66) 2919-9873 โทรสาร: (66) 2517-1328 URL: www.meath-co.com E-mail: support@meath.co.th

MOTOR SPECIFICATION SHEET

MODEL : SF-Q 25HP 2P (HT)

USED FOR : STANDARD

| DESCRIPTION | DETAIL | | |
|----------------------------------|---------------------------------|------------------------------------|--|
| PHASE | 3 | | |
| MODEL NAME | SF-Q | | |
| RATED OUTPUT, HP (kW) | 25 (18.5) | | |
| POLE | 2 | | |
| CODE | MEATH CODE : 1M002F-201850Q-MJ0 | | |
| OUTLINE DRAWING NO. | ONM34O303-D | | |
| RATED VOLTAGE (V) | 380 | 415 | |
| RATED FREQUENCY (Hz) | 50 | 50 | |
| RATED CURRENT (A) | 35.3 | 33.1 | |
| RATED SPEED (min ⁻¹) | 2915 | 2935 | |
| RATED EFFICIENCY (%) | 90.1 | 90.8 | |
| EFFICIENCY CLASS | IE1 | | |
| THERMAL CLASS | 155(F) | | |
| RATING | S1 (CONTINUOUS) | | |
| ENCLOSURE CONSTRUCTION | TOTALLY ENCLOSED FAN COOLED | | |
| DEGREES OF PROTECTION | IP55 | | |
| METHOD OF COOLING | IC411 | | |
| FRAME NO. | 160L | | |
| WEIGHT (kg) | 145 | | |
| STANDARD | IEC 60034-1, IEC 60034-30-1 | | |
| INSTALLATION | FOOT MOUNTED | | |
| ROTATION | CCW (VIEWED FROM SHAFT END) | | |
| BEARING | LOAD SIDE | : 6309ZZ | |
| | OPPOSITE SIDE | : 6308ZZ | |
| BEARING GREASE | UREA GREASE | | |
| NOISE (dB.A) | 90 | | |
| VIBRATION | V15 | | |
| CIRCUMSTANCE CONDITION | AMBIENT TEMPERATURE | : -20 ~ +40°C | |
| | AMBIENT HUMIDITY | : 95%RH OR LESS | |
| | ABOVE SEA LEVEL | : 1000m OR LESS | |
| | ENVIRONMENT | : NO BURSTING/EROSIVE GAS OR VAPOR | |
| COLOR | MUNSELL N1.5 (BLACK) | | |
| TERMINAL BOX | NO. OF LEAD WIRES | : 6 | |
| | SOURCE CONNECTION | : LEAD WIRES | |
| SHAFT SWING | ≤0.05mm | | |
| MATERIAL | FRAME | : CAST IRON | |
| | BRACKET | : CAST IRON | |
| | SHAFT | : CARBON STEEL | |
| | STATOR CORE | : ELECTRICAL STEEL | |
| | WIRE | : ENAMELLED COPPER MAGNET WIRE | |
| | ROTOR CORE | : ELECTRICAL STEEL | |
| | CONDUCTOR | : ALUMINIUM | |
| | TERMINAL BOX | : STEEL PLATE | |
| | PAINING | : POLYURETHANE RESIN | |
| PRODUCTION COUNTRY | THAILAND | | |

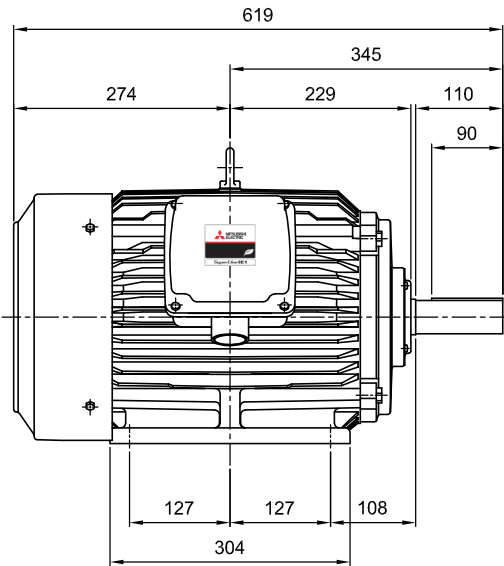
Specifications subject to change without notice.

| | | | | |
|--------------------------------|--|--|--|--|
| SPECIFICATION SHEET NO. | | | | |
| SS-N-3215-A | | | | |

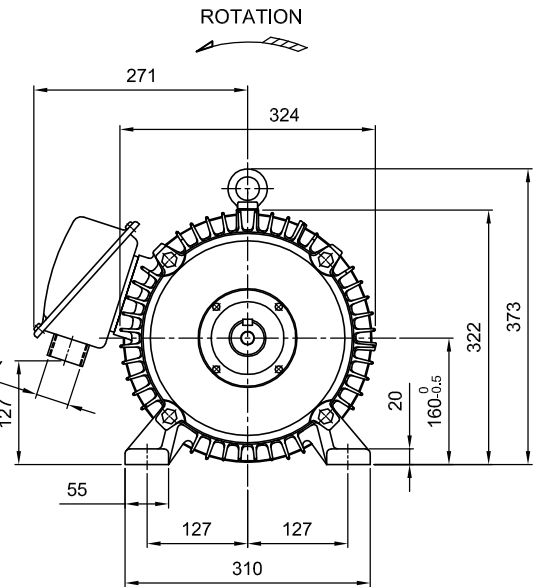
MODEL **SF-Q** THREE PHASE INDUCTION MOTOR OUTLINE DRAWING

TOTALLY ENCLOSED FAN COOLED
 DEGREES OF PROTECTION IP55
 DUST & WATER JET PROOF

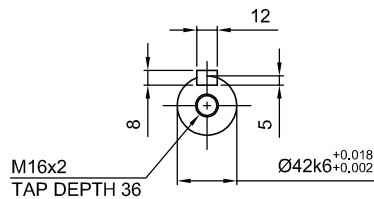
CUSTOMER _____
 USER _____
 FOR _____
 CUSTOMER'S ORDER NO. _____
 QUANTITY _____
 MFG. ORDER NO. _____



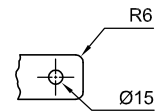
VIEW "A"



ROTATION



VIEW "A"

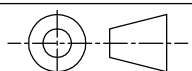


FRAME FOOT AS VIEWED FROM BELOW

| YOUR ORDER | FRAME SIZE | RATING | TH. CLASS | AMB. TEMP. | BEARINGS | | COLOR | DIRECTION OF ROTATION (VIEWED FROM SHAFT END) | NO. OF LEAD WIRES | REMARKS |
|------------|------------|------------|-----------|------------|-----------|-----------|----------------------|---|-------------------|---------|
| | | | | | LOAD SIDE | OPP. SIDE | | | | |
| | 160L | S1 (CONT.) | 155(F) | 40°C | 6309ZZ | 6308ZZ | BLACK (MUNSELL N1.5) | CCW | 6 | |

| YOUR ORDER | OUTPUT | | POLES | VOLTS | HERTZ | AMP. | RPM | IE CODE-RATED EFF. | REMARKS |
|------------|--------|------|-------|-------------|-------|----------------|----------------|-----------------------|---------|
| | HP | kW | | | | | | | |
| | 25 | 18.5 | 2 | 380/415 | 50 | 35.3/33.1 | 2915/2935 | IE1-90.1%/90.8% | HT |
| | 20 | 15 | 4 | 380/415 | 50 | 30.1/29.3 | 1455/1465 | IE1-89.2%/89.5% | HT |
| | 15 | 11 | 6 | 380/415 | 50 | 24.3/23.8 | 960/970 | IE1-86.4%/86.4% | HT |
| | 25 | 18.5 | 2 | 220/380/415 | 50 | 61.1/35.3/32.9 | 2915/2915/2935 | IE1-90.1%/90.1%/90.8% | LT |
| | 20 | 15 | 4 | 220/380/415 | 50 | 52.1/30.1/28.8 | 1455/1455/1465 | IE1-89.0%/89.0%/89.5% | LT |
| | 15 | 11 | 6 | 220/380/415 | 50 | 42.1/24.3/23.6 | 960/960/970 | IE1-86.4%/86.4%/86.4% | LT |

MITSUBISHI ELECTRIC AUTOMATION (THAILAND) CO., LTD.



DIMENSION IN mm.

SCALE : NTS

OUTLINE DRAWING NO.

ONM340303

REV.

D