



MITSUBISHI ELECTRIC AUTOMATION (THAILAND) CO., LTD.
 Bang-Chan Industrial Estate No. 111 Moo 4, Serithai Rd., T.Kannayao, A.Kannayao, BKK 10230 Thailand
 Tel: (66) 2517-1326, (66) 2919-9873 Fax: (66) 2517-1328 URL: www.meath-co.com E-mail: support@meath.co.th
บริษัท มิตซูบิชิ อิเล็กทริก ออโตเมชัน (ประเทศไทย) จำกัด
 นิคมอุตสาหกรรมบางชัน เลขที่ 111 หมู่ 4 ถนนเสรีไทย แขวงคันนายาว เขตคันนายาว กทม. 10230
 โทรศัพท์: (66) 2517-1326, (66) 2919-9873 โทรสาร: (66) 2517-1328 URL: www.meath-co.com E-mail: support@meath.co.th

MOTOR SPECIFICATION SHEET

MODEL : SF-Q 30HP 6P (LT)
 USED FOR : STANDARD

| DESCRIPTION | DETAIL | | | |
|----------------------------------|--|------|------|--|
| PHASE | 3 | | | |
| MODEL NAME | SF-Q | | | |
| RATED OUTPUT, HP (kW) | 30 (22) | | | |
| POLE | 6 | | | |
| CODE | MEATH CODE : 1M002F-602200Q-GD0 | | | |
| OUTLINE DRAWING NO. | ONM34O305-D | | | |
| RATED VOLTAGE (V) | 220 | 380 | 415 | |
| RATED FREQUENCY (Hz) | 50 | 50 | 50 | |
| RATED CURRENT (A) | 79.8 | 46.1 | 43.9 | |
| RATED SPEED (min ⁻¹) | 970 | 970 | 975 | |
| RATED EFFICIENCY (%) | 89.2 | 89.2 | 89.2 | |
| EFFICIENCY CLASS | IE1 | | | |
| THERMAL CLASS | 155(F) | | | |
| RATING | S1 (CONTINUOUS) | | | |
| ENCLOSURE CONSTRUCTION | TOTALLY ENCLOSED FAN COOLED | | | |
| DEGREES OF PROTECTION | IP55 | | | |
| METHOD OF COOLING | IC411 | | | |
| FRAME NO. | 180L | | | |
| WEIGHT (kg) | 235 | | | |
| STANDARD | IEC 60034-1, IEC 60034-30-1 | | | |
| INSTALLATION | FOOT MOUNTED | | | |
| ROTATION | CCW (VIEWED FROM SHAFT END) | | | |
| BEARING | LOAD SIDE : 6312ZZ | | | |
| | OPPOSITE SIDE : 6310ZZ | | | |
| BEARING GREASE | UREA GREASE | | | |
| NOISE (dB.A) | 79 | | | |
| VIBRATION | V15 | | | |
| CIRCUMSTANCE CONDITION | AMBIENT TEMPERATURE : -20 ~ +40°C | | | |
| | AMBIENT HUMIDITY : 95%RH OR LESS | | | |
| | ABOVE SEA LEVEL : 1000m OR LESS | | | |
| | ENVIRONMENT : NO BURSTING/EROSIVE GAS OR VAPOR | | | |
| COLOR | MUNSELL N1.5 (BLACK) | | | |
| TERMINAL BOX | NO. OF LEAD WIRES : 6 | | | |
| | SOURCE CONNECTION : LEAD WIRES | | | |
| SHAFT SWING | ≤0.05mm | | | |
| MATERIAL | FRAME : CAST IRON | | | |
| | BRACKET : CAST IRON | | | |
| | SHAFT : CARBON STEEL | | | |
| | STATOR CORE : ELECTRICAL STEEL | | | |
| | WIRE : ENAMELLED COPPER MAGNET WIRE | | | |
| | ROTOR CORE : ELECTRICAL STEEL | | | |
| | CONDUCTOR : ALUMINIUM | | | |
| | TERMINAL BOX : STEEL PLATE | | | |
| | PAINTING : POLYURETHANE RESIN | | | |
| PRODUCTION COUNTRY | THAILAND | | | |

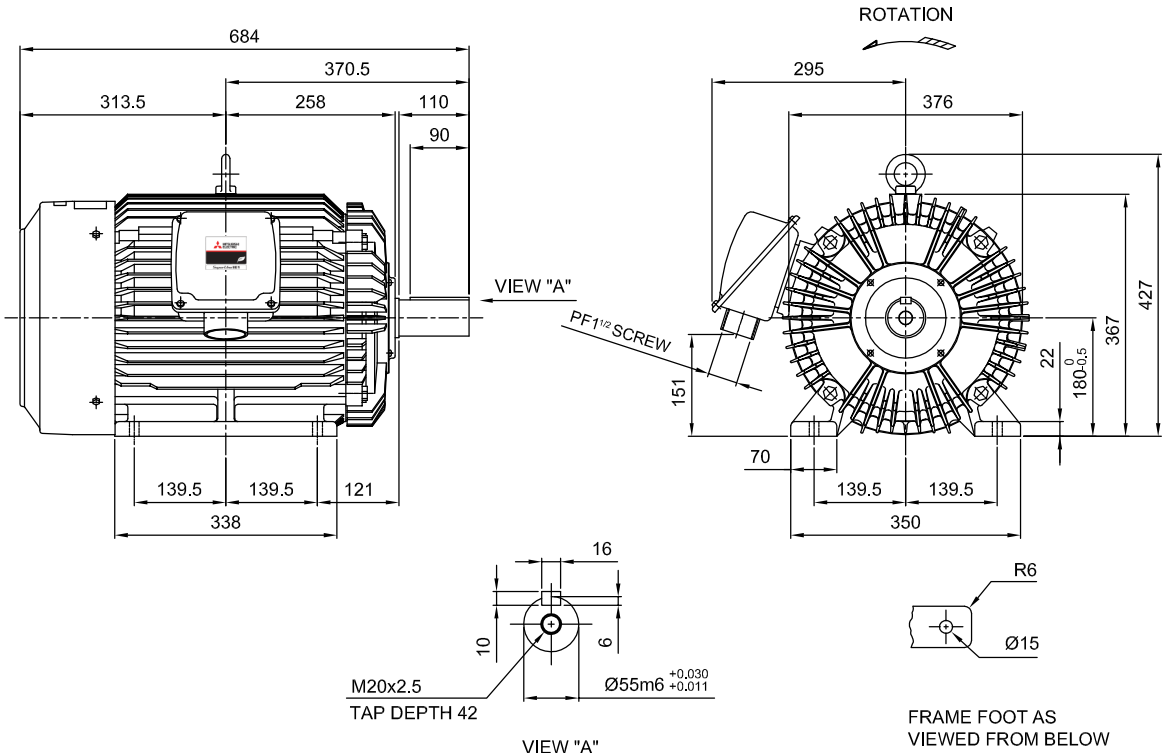
Specifications subject to change without notice.

| | | | | |
|--------------------------------|--|--|--|--|
| SPECIFICATION SHEET NO. | | | | |
| SS-N-3234-A | | | | |

MODEL SF-Q THREE PHASE INDUCTION MOTOR OUTLINE DRAWING

TOTALLY ENCLOSED FAN COOLED
 DEGREES OF PROTECTION IP55
 DUST & WATER JET PROOF

CUSTOMER _____
 USER _____
 FOR _____
 CUSTOMER'S ORDER NO. _____
 QUANTITY _____
 MFG. ORDER NO. _____



| YOUR ORDER | FRAME SIZE | RATING | TH. CLASS | AMB. TEMP. | BEARINGS | | | COLOR | DIRECTION OF ROTATION (VIEWED FROM SHAFT END) | NO. OF LEAD WIRES | REMARKS |
|------------|------------|------------|-----------|------------|------------------|------------------|--------|----------------------|---|-------------------|---------|
| | | | | | LOAD SIDE | OPP. SIDE | | | | | |
| | 180L | S1 (CONT.) | 155(F) | 40°C | 6312ZZC3 (2POLE) | 6312ZZ (4,6POLE) | 6310ZZ | BLACK (MUNSELL N1.5) | CCW | 6 | |

| YOUR ORDER | OUTPUT | | POLES | VOLTS | HERTZ | AMP. | RPM | IE CODE-RATED EFF. | REMARKS |
|------------|--------|------|-------|-------------|-------|-----------------|----------------|-----------------------|---------|
| | HP | KW | | | | | | | |
| | 40 | 30 | 2 | 380/415 | 50 | 57.1/53.5 | 2925/2945 | IE1-90.7%/91.2% | HT |
| | 40 | 30 | 4 | 380/415 | 50 | 58.9/56.2 | 1465/1470 | IE1-90.7%/90.7% | HT |
| | 25 | 18.5 | 6 | 380/415 | 50 | 39.0/37.8 | 975/980 | IE1-88.6%/88.9% | HT |
| | 30 | 22 | 6 | 380/415 | 50 | 45.8/43.5 | 970/975 | IE1-89.2%/89.2% | HT |
| | 40 | 30 | 2 | 220/380/415 | 50 | 99.4/57.4/54.2 | 2925/2925/2945 | IE1-90.7%/90.7%/91.0% | LT |
| | 40 | 30 | 4 | 220/380/415 | 50 | 102.0/58.9/57.0 | 1465/1470/1475 | IE1-90.7%/90.7%/90.7% | LT |
| | 25 | 18.5 | 6 | 220/380/415 | 50 | 68.4/39.5/38.7 | 975/975/980 | IE1-88.6%/88.6%/88.9% | LT |
| | 30 | 22 | 6 | 220/380/415 | 50 | 79.8/46.1/43.9 | 970/970/975 | IE1-89.2%/89.2%/89.2% | LT |

MITSUBISHI ELECTRIC AUTOMATION (THAILAND) CO., LTD.

| | | | |
|--|---------------------------------|---------------------|------|
| | DIMENSION IN mm. SCALE : NTS | OUTLINE DRAWING NO. | REV. |
| | | O N M 3 4 0 3 0 5 D | |