

MOTOR SPECIFICATION SHEET

MODEL : SF-QR 1/4HP 6P IP44 (LT)

USED FOR : STANDARD

| DESCRIPTION | DETAIL | | | |
|----------------------------------|--|------|------|--|
| PHASE | 3 | | | |
| MODEL NAME | SF-QR | | | |
| RATED OUTPUT, HP (kW) | 1/4 (0.2) | | | |
| POLE | 6 | | | |
| CODE | MEATH CODE : 1M002F-600020QRGC0 | | | |
| OUTLINE DRAWING NO. | ONM74O196-C | | | |
| RATED VOLTAGE (V) | 220 | 380 | 415 | |
| RATED FREQUENCY (Hz) | 50 | 50 | 50 | |
| RATED CURRENT (A) | 1.23 | 0.71 | 0.74 | |
| RATED SPEED (min ⁻¹) | 920 | 920 | 930 | |
| RATED EFFICIENCY (%) | 64.5 | 64.5 | 63.5 | |
| EFFICIENCY CLASS | IE1 | | | |
| THERMAL CLASS | 130(B) | | | |
| RATING | S1 (CONTINUOUS) | | | |
| ENCLOSURE CONSTRUCTION | TOTALLY ENCLOSED FAN COOLED | | | |
| DEGREES OF PROTECTION | IP44 | | | |
| METHOD OF COOLING | IC411 | | | |
| FRAME NO. | 71M | | | |
| WEIGHT (kg) | 7.3 | | | |
| STANDARD | IEC 60034-1, IEC 60034-30-1 | | | |
| INSTALLATION | FOOT MOUNTED | | | |
| ROTATION | CCW (VIEWED FROM SHAFT END) | | | |
| BEARING | LOAD SIDE : 6202ZZ | | | |
| | OPPOSITE SIDE : 6201ZZ | | | |
| BEARING GREASE | UREA GREASE | | | |
| NOISE (dB.A) | 60 | | | |
| VIBRATION | V15 | | | |
| CIRCUMSTANCE CONDITION | AMBIENT TEMPERATURE : -20 ~ +40°C | | | |
| | AMBIENT HUMIDITY : 95%RH OR LESS | | | |
| | ABOVE SEA LEVEL : 1000m OR LESS | | | |
| | ENVIRONMENT : NO BURSTING/EROSIVE GAS OR VAPOR | | | |
| COLOR | MUNSELL N1.5 (BLACK) | | | |
| TERMINAL BOX | NO. OF LEAD WIRES : 6 | | | |
| | SOURCE CONNECTION : LEAD WIRES | | | |
| SHAFT SWING | ≤0.03mm | | | |
| MATERIAL | FRAME : STEEL PLATE | | | |
| | BRACKET : STEEL PLATE | | | |
| | SHAFT : CARBON STEEL | | | |
| | STATOR CORE : ELECTRICAL STEEL | | | |
| | WIRE : ENAMELLED COPPER MAGNET WIRE | | | |
| | ROTOR CORE : ELECTRICAL STEEL | | | |
| | CONDUCTOR : ALUMINIUM | | | |
| | TERMINAL BOX : N/A | | | |
| | PAINTING : ALKYD-NITROCELLULOSE RESIN | | | |
| PRODUCTION COUNTRY | THAILAND | | | |

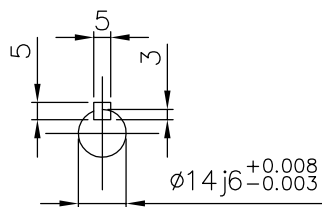
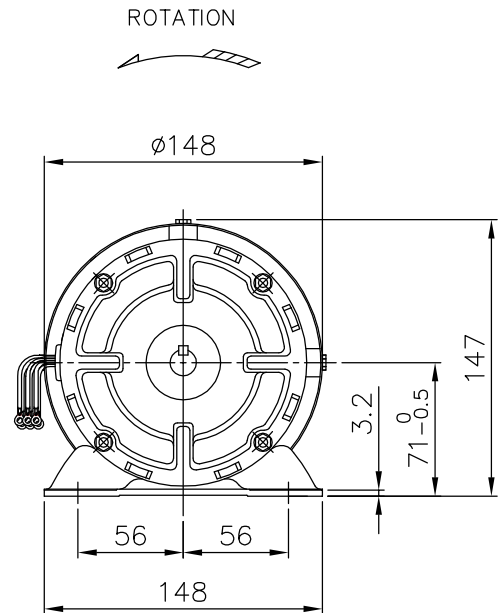
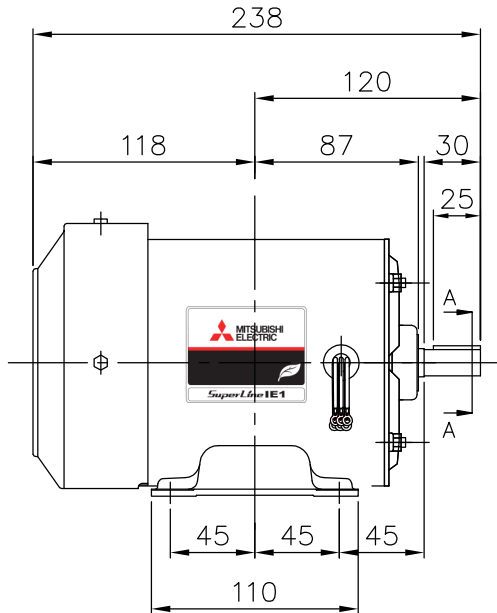
Specifications subject to change without notice.

| | | | | |
|--------------------------------|--|--|--|--|
| SPECIFICATION SHEET NO. | | | | |
| SS-N-7027-A | | | | |

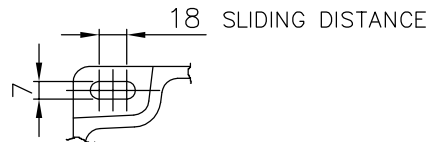
MODEL SF-QR THREE PHASE INDUCTION MOTOR OUTLINE DRAWING

TOTALLY ENCLOSED FAN COOLED TYPE
DEGREES OF PROTECTION IP44

CUSTOMER _____
USER _____
FOR _____
CUSTOMER'S ORDER NO. _____
QUANTITY _____
MFG. ORDER NO. _____



SECTION A-A



FRAME FOOT AS VIEWED FROM BELOW

| YOUR ORDER | FRAME SIZE | RATING | TH. CLASS | AMB. TEMP. | BEARINGS | | COLOR | DIRECTION OF ROTATION (VIEWED FROM SHAFT END) | NO. OF LEAD WIRES | REMARKS |
|------------|------------|------------|-----------|------------|-----------|-----------|----------------------|---|-------------------|---------|
| | | | | | LOAD SIDE | OPP. SIDE | | | | |
| | 71M | S1 (CONT.) | 130(B) | 40°C | 6202ZZ | 6201ZZ | BLACK (MUNSELL N1.5) | CCW | 6 | |

| YOUR ORDER | OUTPUT | | POLES | VOLT | HERTZ | AMP. | RPM | IE CODE-RATED EFF. | REMARKS |
|------------|--------|-----|-------|-------------|-------|----------------|----------------|--------------------------|---------|
| | HP | kW | | | | | | | |
| | 1/2 | 0.4 | 2 | 220/380/415 | 50 | 1.80/1.05/1.00 | 2830/2830/2860 | IE1 70.7%/70.7%/73.6% | LT |
| | 1/2 | 0.4 | 4 | 220/380/415 | 50 | 2.00/1.14/1.18 | 1400/1400/1420 | IE1 73.3%/73.3%/72.0% | LT |
| | 1/4 | 0.2 | 6 | 220/380/415 | 50 | 1.23/0.71/0.74 | 920/920/930 | IE1 64.5%/64.5%/63.5% | LT |

MITSUBISHI ELECTRIC AUTOMATION (THAILAND) CO., LTD.

| | | | |
|-------------|------------------|---------------------|------|
| | | OUTLINE DRAWING NO. | REV. |
| | DIMENSION IN mm. | 0 N M 7 4 0 1 9 6 | C |
| SCALE : NTS | | | |