



MITSUBISHI ELECTRIC AUTOMATION (THAILAND) CO., LTD.

Bang-Chan Industrial Estate No. 111 Moo 4, Serithai Rd., T.Kannayao, A.Kannayao, BKK 10230 Thailand
 Tel: (66) 2517-1326, (66) 2919-9873 Fax: (66) 2517-1328 URL: www.meath-co.com E-mail: support@meath.co.th

บริษัท มิตซูบิชิ อิเล็กทริก ออโตเมชั่น (ประเทศไทย) จำกัด

นิคมอุตสาหกรรมบางชัน เลขที่ 111 หมู่ 4 ถนนเสรีไทย แขวงคันนายาว เขตคันนายาว กทม. 10230

โทรศัพท์: (66) 2517-1326, (66) 2919-9873 โทรสาร: (66) 2517-1328 URL: www.meath-co.com E-mail: support@meath.co.th

MOTOR SPECIFICATION SHEET

MODEL : SF-QR 2HP 2P (LT)

USED FOR : STANDARD

DESCRIPTION	DETAIL			
PHASE	3			
MODEL NAME	SF-QR			
RATED OUTPUT, HP (kW)	2 (1.5)			
POLE	2			
CODE	MEATH CODE : 1M002F-200150QRGD0			
OUTLINE DRAWING NO.	ONM94O175-C			
RATED VOLTAGE (V)	220	380	415	
RATED FREQUENCY (Hz)	50	50	50	
RATED CURRENT (A)	5.5	3.2	3.1	
RATED SPEED (min ⁻¹)	2870	2870	2900	
RATED EFFICIENCY (%)	81.5	81.5	82.6	
EFFICIENCY CLASS	IE1			
THERMAL CLASS	155(F)			
RATING	S1 (CONTINUOUS)			
ENCLOSURE CONSTRUCTION	TOTALLY ENCLOSED FAN COOLED			
DEGREES OF PROTECTION	IP55			
METHOD OF COOLING	IC411			
FRAME NO.	90L			
WEIGHT (kg)	16.5			
STANDARD	IEC 60034-1, IEC 60034-30-1			
INSTALLATION	FOOT MOUNTED			
ROTATION	CCW (VIEWED FROM SHAFT END)			
BEARING	LOAD SIDE	: 6205ZZ		
	OPPOSITE SIDE	: 6204ZZ		
BEARING GREASE	UREA GREASE			
NOISE (dB.A)	75			
VIBRATION	V15			
CIRCUMSTANCE CONDITION	AMBIENT TEMPERATURE	: -20 ~ +40°C		
	AMBIENT HUMIDITY	: 95%RH OR LESS		
	ABOVE SEA LEVEL	: 1000m OR LESS		
	ENVIRONMENT	: NO BURSTING/EROSIVE GAS OR VAPOR		
COLOR	MUNSELL N1.5 (BLACK)			
TERMINAL BOX	NO. OF LEAD WIRES	: 6		
	SOURCE CONNECTION	: TERMINAL BLOCK		
SHAFT SWING	≤0.03mm			
MATERIAL	FRAME	: STEEL PLATE		
	BRACKET	: ALUMINIUM		
	SHAFT	: CARBON STEEL		
	STATOR CORE	: ELECTRICAL STEEL		
	WIRE	: ENAMELLED COPPER MAGNET WIRE		
	ROTOR CORE	: ELECTRICAL STEEL		
	CONDUCTOR	: ALUMINIUM		
	TERMINAL BOX	: STEEL PLATE		
PAINTING	: POLYURETHANE RESIN			
PRODUCTION COUNTRY	THAILAND			

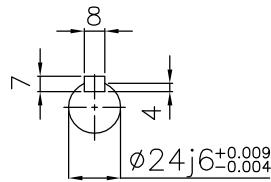
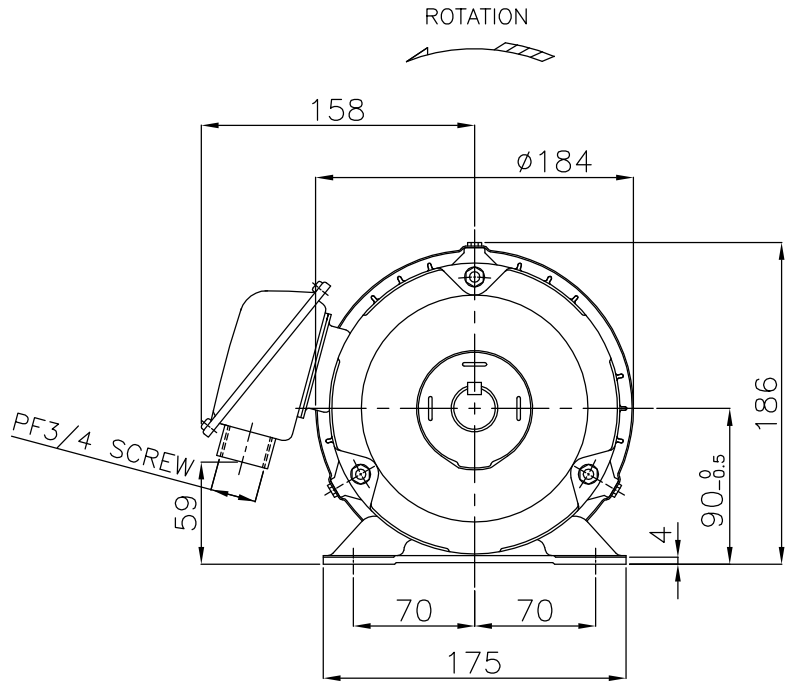
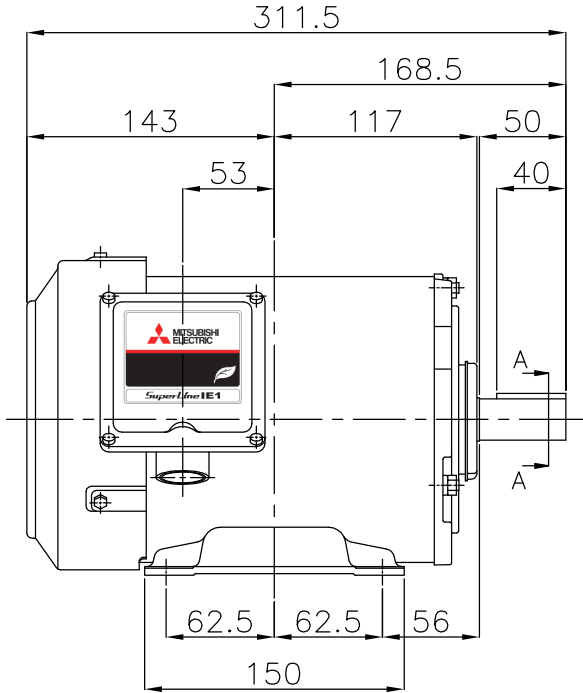
Specifications subject to change without notice.

SPECIFICATION SHEET NO.				
SS-M-9987-A				

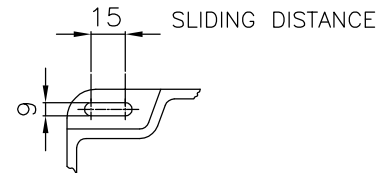
MODEL SF-QR THREE PHASE INDUCTION MOTOR OUTLINE DRAWING

TOTALLY ENCLOSED FAN COOLED TYPE
 DEGREES OF PROTECTION IP55
 DUST & WATER JET PROOF

CUSTOMER _____
 USER _____
 FOR _____
 CUSTOMER'S ORDER NO. _____
 QUANTITY _____
 MFG. ORDER NO. _____



SECTION A-A

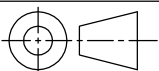


FRAME FOOT AS VIEWED FROM BELOW

YOUR ORDER	FRAME SIZE	RATING	TH. CLASS	AMB. TEMP.	BEARINGS		COLOR	DIRECTION OF ROTATION (VIEWED FROM SHAFT END)	NO. OF LEAD WIRES	REMARKS
					LOAD SIDE	OPP. SIDE				
	90L	S1 (CONT.)	155(F)	40°C	6205ZZ	6204ZZ	BLACK (MUNSELL N1.5)	CCW	6	

YOUR ORDER	OUTPUT		POLES	VOLTS	HERTZ	AMP.	RPM	IE CODE-RATED EFF.	REMARKS
	HP	KW							
	2	1.5	2	220/380/415	50	5.5/3.2/3.1	2870/2870/2900	IE1 81.5%/81.5%/82.6%	LT
	3	2.2	2	220/380/415	50	7.8/4.5/4.3	2850/2850/2880	IE1 82.9%/82.9%/84.6%	LT
	2	1.5	4	220/380/415	50	6.1/3.5/3.5	1430/1430/1440	IE1 83.0%/83.0%/83.5%	LT
	1	0.75	6	220/380/415	50	4.0/2.3/2.3	960/960/965	IE1 76.6%/76.6%/76.3%	LT

mitsubishi electric automation (thailand) co.,ltd.



DIMENSION IN mm.
 SCALE : NTS.

OUTLINE DRAWING NO.

0 N M 9 4 0 1 7 5

REV.

C