

**MOTOR SPECIFICATION SHEET**

MODEL : SF-QR 5HP 2P IP44 (HT)

USED FOR : STANDARD

DESCRIPTION	DETAIL		
PHASE	3		
MODEL NAME	SF-QR		
RATED OUTPUT, HP (kW)	5 (3.7)		
POLE	2		
CODE	MEATH CODE : 1M002F-200370QRM10		
OUTLINE DRAWING NO.	ONM14O200-C		
RATED VOLTAGE (V)	380	415	
RATED FREQUENCY (Hz)	50	50	
RATED CURRENT (A)	7.5	7.1	
RATED SPEED (min <sup>-1</sup> )	2890	2910	
RATED EFFICIENCY (%)	82.7	83.2	
EFFICIENCY CLASS	IE1		
THERMAL CLASS	155(F)		
RATING	S1 (CONTINUOUS)		
ENCLOSURE CONSTRUCTION	TOTALLY ENCLOSED FAN COOLED		
DEGREES OF PROTECTION	IP44		
METHOD OF COOLING	IC411		
FRAME NO.	112M		
WEIGHT (kg)	31		
STANDARD	IEC 60034-1, IEC 60034-30-1		
INSTALLATION	FOOT MOUNTED		
ROTATION	CCW (VIEWED FROM SHAFT END)		
BEARING	LOAD SIDE : 6207ZZ		
	OPPOSITE SIDE : 6206ZZ		
BEARING GREASE	UREA GREASE		
NOISE (dB.A)	80		
VIBRATION	V10		
CIRCUMSTANCE CONDITION	AMBIENT TEMPERATURE : -20 ~ +40°C		
	AMBIENT HUMIDITY : 95%RH OR LESS		
	ABOVE SEA LEVEL : 1000m OR LESS		
	ENVIRONMENT : NO BURSTING/EROSIVE GAS OR VAPOR		
COLOR	MUNSELL N1.5 (BLACK)		
TERMINAL BOX	NO. OF LEAD WIRES : 6		
	SOURCE CONNECTION : TERMINAL BLOCK		
SHAFT SWING	≤0.03mm		
MATERIAL	FRAME : STEEL PLATE		
	BRACKET : ALUMINIUM		
	SHAFT : CARBON STEEL		
	STATOR CORE : ELECTRICAL STEEL		
	WIRE : ENAMELLED COPPER MAGNET WIRE		
	ROTOR CORE : ELECTRICAL STEEL		
	CONDUCTOR : ALUMINIUM		
	TERMINAL BOX : STEEL PLATE		
	PAINTING : ALKYD-NITROCELLULOSE RESIN		
PRODUCTION COUNTRY	THAILAND		

Specifications subject to change without notice.

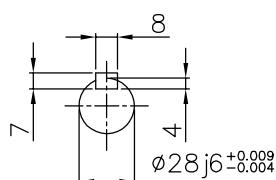
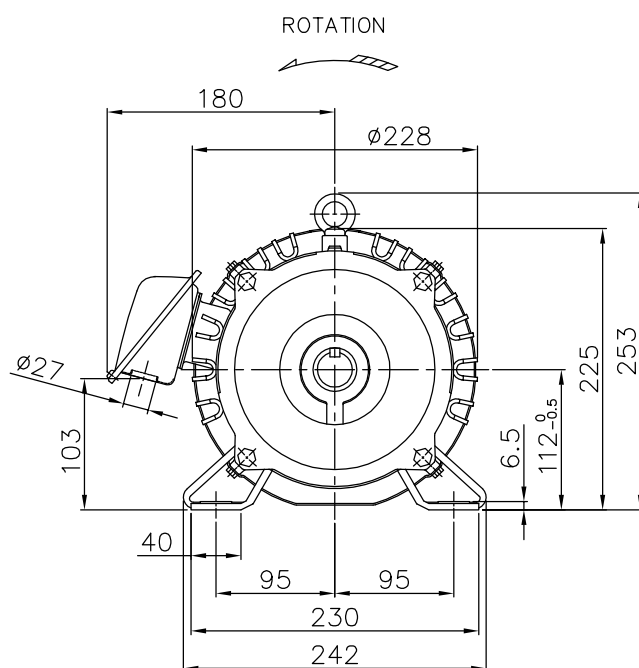
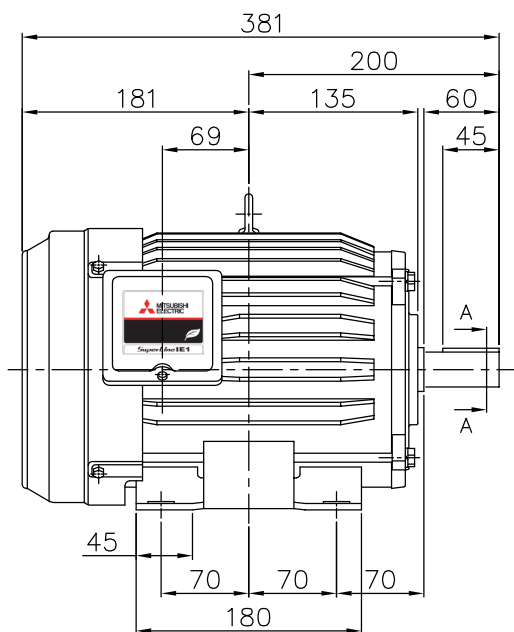
**SPECIFICATION SHEET NO.**

SS-N-1011-A

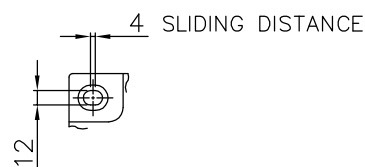
# MODEL SF-QR THREE PHASE INDUCTION MOTOR OUTLINE DRAWING

TOTALLY ENCLOSED FAN COOLED TYPE  
DEGREES OF PROTECTION IP44

CUSTOMER \_\_\_\_\_  
USER \_\_\_\_\_  
FOR \_\_\_\_\_  
CUSTOMER'S ORDER NO. \_\_\_\_\_  
QUANTITY \_\_\_\_\_  
MFG. ORDER NO. \_\_\_\_\_



SECTION A-A



FRAME FOOT AS VIEWED FROM BELOW

YOUR ORDER	FRAME SIZE	RATING	TH. CLASS	AMB. TEMP.	BEARINGS		COLOR	DIRECTION OF ROTATION (VIEWED FROM SHAFT END)	NO. OF LEAD WIRES	REMARKS
					LOAD SIDE	OPP. SIDE				
	112M	S1 (CONT.)	155(F)	40°C	6207ZZ	6206ZZ	BLACK (MUNSELL N1.5)	CCW	6	

YOUR ORDER	OUTPUT		POLES	VOLTS	HERTZ	AMP.	RPM	IE CODE-RATED EFF.	REMARKS
	HP	kW							
	5	3.7	2	220/380/415	50	12.8/7.4/7.0	2890/2890/2920	IE1 82.7%/82.7%/83.2%	LT
	5	3.7	4	220/380/415	50	14.0/8.1/8.0	1430/1430/1450	IE1 83.1%/83.1%/83.2%	LT
	3	2.2	6	220/380/415	50	9.7/5.6/5.4	940/940/950	IE1 77.7%/77.7%/79.0%	LT
	5	3.7	2	380/415	50	7.5/7.1	2890/2910	IE1 82.7%/83.2%	HT
	5	3.7	4	380/415	50	8.1/8.0	1440/1450	IE1 82.7%/82.7%	HT

MITSUBISHI ELECTRIC AUTOMATION (THAILAND) CO., LTD.

	OUTLINE DRAWING NO.	REV.
	0 N M 1 4 0 2 0 0 C	