



MITSUBISHI ELECTRIC AUTOMATION (THAILAND) CO., LTD.

Bang-Chan Industrial Estate No. 111 Moo 4, Serithai Rd., T.Kannayao, A.Kannayao, BKK 10230 Thailand
 Tel: (66) 2517-1326, (66) 2919-9873 Fax: (66) 2517-1328 URL: www.meath-co.com E-mail: support@meath.co.th

บริษัท มิตซูบิชิ อิเล็กทริก ออโตเมชั่น (ประเทศไทย) จำกัด

นิติบุคคลสาขาระบบงานอัตโนมัติ เลขที่ 111 หมู่ 4 ถนนเสรีไทย แขวงคันนายาว เขตคันนายาว กทม. 10230

โทรศัพท์: (66) 2517-1326, (66) 2919-9873 โทรสาร: (66) 2517-1328 URL: www.meath-co.com E-mail: support@meath.co.th

MOTOR SPECIFICATION SHEET

MODEL : SF-QRGC 5HP 4P RATIO 1:25 (LT)

USED FOR : GEAR MOTOR

| DESCRIPTION | DETAIL | | | |
|------------------------------------|--|----------|------|--|
| PHASE | 3 | | | |
| MODEL NAME | SF-QRGC | | | |
| RATED OUTPUT, HP (kW) | 5 (3.7) | | | |
| POLE | 4 | | | |
| CODE | MEATH CODE : 1G1025-050H6135QR0 | | | |
| OUTLINE DRAWING NO. | ONM14O321-B | | | |
| RATED VOLTAGE (V) | 220 | 380 | 415 | |
| RATED FREQUENCY (Hz) | 50 | 50 | 50 | |
| RATED CURRENT (A) | 14.0 | 8.1 | 8.0 | |
| RATED SPEED (min ⁻¹) * | 57 | 57 | 58 | |
| RATED EFFICIENCY (%) | 83.1 | 83.1 | 83.2 | |
| EFFICIENCY CLASS | IE1 | | | |
| THERMAL CLASS | 155(F) | | | |
| RATING | S1 (CONTINUOUS) | | | |
| ENCLOSURE CONSTRUCTION | TOTALLY ENCLOSED FAN COOLED | | | |
| DEGREES OF PROTECTION | IP55 | | | |
| METHOD OF COOLING | IC411 | | | |
| FRAME NO. | 112M | | | |
| WEIGHT (kg) | 71 | | | |
| STANDARD | IEC 60034-1, IEC 60034-30-1 | | | |
| INSTALLATION | FOOT MOUNTED | | | |
| ROTATION | CW (VIEWED FROM SHAFT END) | | | |
| BEARING | LOAD SIDE : 6207ZZ | | | |
| | OPPOSITE SIDE : 6206ZZ | | | |
| BEARING GREASE | UREA GREASE | | | |
| CIRCUMSTANCE CONDITION | AMBIENT TEMPERATURE : -20 ~ +40°C | | | |
| | AMBIENT HUMIDITY : 95%RH OR LESS | | | |
| | ABOVE SEA LEVEL : 1000m OR LESS | | | |
| | ENVIRONMENT : NO BURSTING/EROSIVE GAS OR VAPOR | | | |
| COLOR | MUNSELL N1.5 (BLACK) | | | |
| TERMINAL BOX | NO. OF LEAD WIRES : 6 | | | |
| | SOURCE CONNECTION : TERMINAL BLOCK | | | |
| GEAR RATIO | 1:25 | | | |
| GEAR LUBRICANT | OIL (Must be filled by user.) | | | |
| SERVICE FACTOR | 1.55 | | | |
| MATERIAL | FRAME : STEEL PLATE | | | |
| | BRACKET (GEAR SIDE) : CAST IRON | | | |
| | BRACKET (OPP SIDE) : ALUMINIUM | | | |
| | GEAR CASE : CAST IRON | | | |
| | SHAFT (MOTOR) : STEEL | | | |
| | SHAFT (GEAR OUTPUT) : STEEL | | | |
| | STATOR CORE : ELECTRICAL STEEL | | | |
| | WIRE : ENAMELLED COPPER MAGNET WIRE | | | |
| | ROTOR CORE : ELECTRICAL STEEL | | | |
| | CONDUCTOR : ALUMINIUM | | | |
| | TERMINAL BOX : STEEL PLATE | | | |
| | PAINTING : POLYURETHANE RESIN | | | |
| | PRODUCTION COUNTRY | THAILAND | | |

* THIS VALUE IS CALCULATED BY " MOTOR RATED SPEED / GEAR RATIO ".
 (SPECIFICATION VALUE IS 58 min⁻¹ .)

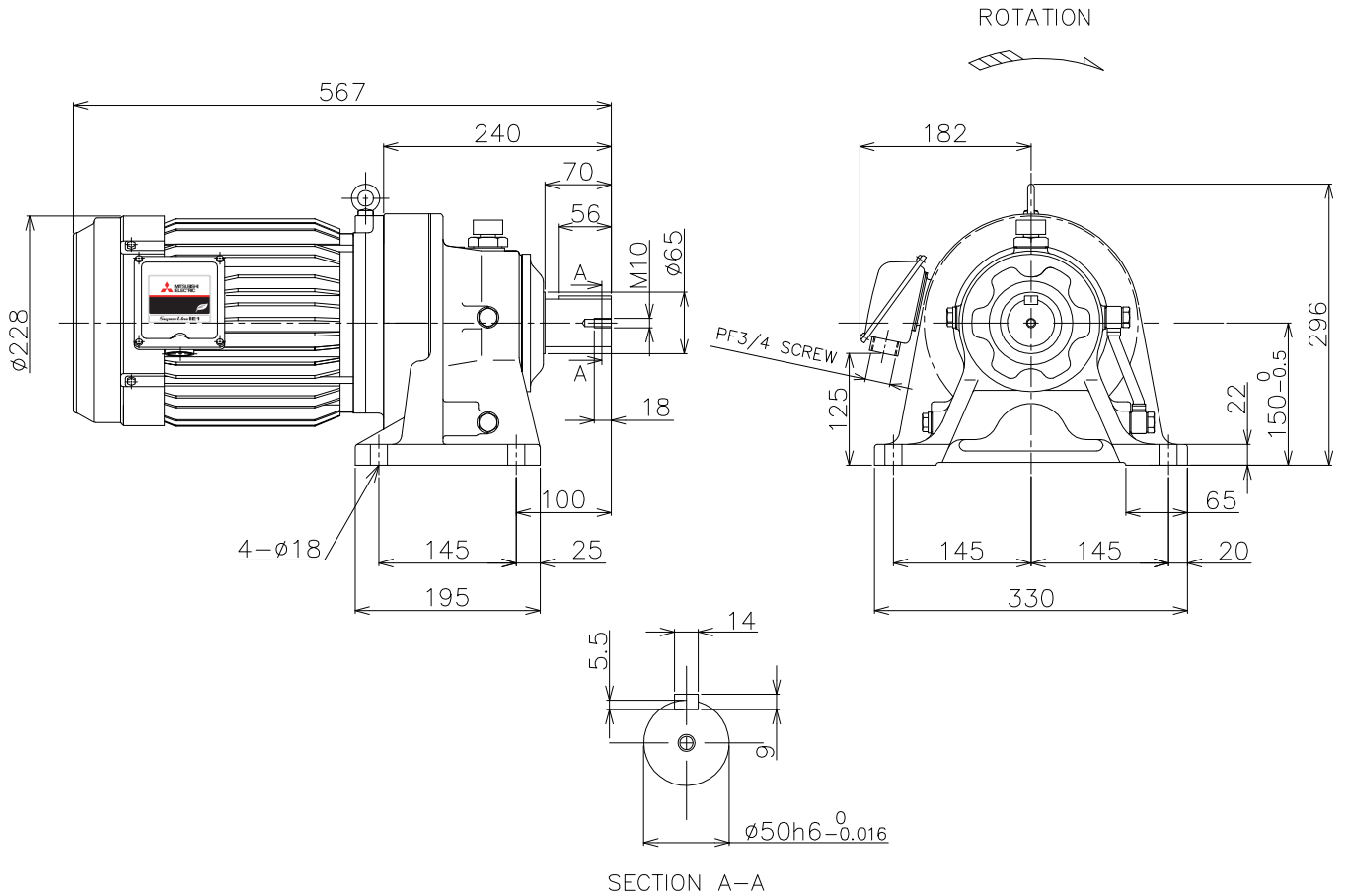
Specifications subject to change without notice.

| | | | | |
|--------------------------------|--|--|--|--|
| SPECIFICATION SHEET NO. | | | | |
| SS-M-1818-B | | | | |

MODEL SF-QRGC THREE PHASE INDUCTION MOTOR OUTLINE DRAWING

GEAR MOTOR
 TOTALLY ENCLOSED FAN COOLED
 DEGREES OF PROTECTION IP55
 DUST & WATER JET PROOF

CUSTOMER _____
 USER _____
 FOR _____
 CUSTOMER'S ORDER NO. _____
 QUANTITY _____
 MFG. ORDER NO. _____

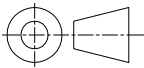


| YOUR ORDER | MOTOR FRAME SIZE | RATING | TH. CLASS | AMB. TEMP | BEARINGS | | COLOR | DIRECTION OF ROTATION (VIEWED FROM SHAFT END) | NO. OF LEAD WIRES | REMARKS |
|------------|------------------|------------|-----------|-----------|-----------|-----------|----------------------|---|-------------------|---------|
| | | | | | LOAD SIDE | OPP. SIDE | | | | |
| | 112M | S1 (CONT.) | 155(F) | 40°C | 6207ZZ | 6206ZZ | BLACK (MUNSELL N1.5) | CW | 6 | |

| YOUR ORDER | GEAR MODEL | RATIO | SERVICE FACTOR | MOTOR OUTPUT | | POLE | VOLT | HERTZ | OUTPUT SPEED (min ⁻¹) | AMP. | IE CODE-RATED EFF. | TYPE | LUBRICATION TYPE | WEIGHT (kg) |
|------------|---------------|-------|----------------|--------------|-----|------|-------------|-------|-----------------------------------|--------------|-----------------------|------|--------------------|-------------|
| | | | | HP | KW | | | | | | | | | |
| | CHHM5-6135-25 | 1:25 | 1.55 | 5 | 3.7 | 4 | 220/380/415 | 50 | 58 | 14.0/8.1/8.0 | IE1-83.1%/83.1%/83.2% | LT | OIL ⁽¹⁾ | 71 |
| | CHHM5-6135-29 | 1:29 | 1.31 | 5 | 3.7 | 4 | 220/380/415 | 50 | 50 | | | | | |
| | CHHM5-6135-25 | 1:25 | 1.55 | 5 | 3.7 | 4 | 380/415 | 50 | 58 | 8.1/8.0 | IE1-82.7%/82.7% | HT | | |
| | CHHM5-6135-29 | 1:29 | 1.31 | 5 | 3.7 | 4 | 380/415 | 50 | 50 | | | | | |

NOTE : (1) PLEASE FILL IN OIL BEFORE FIRST TIME USAGE (SEE DETAIL IN THE INSTRUCTION MANUAL)

MITSUBISHI ELECTRIC AUTOMATION (THAILAND) CO., LTD.

| | | |
|--|---------------------|------|
|  DIMENSION IN mm. SCALE : NTS | OUTLINE DRAWING NO. | REV. |
| | ONM140321 | B |