

MOTOR SPECIFICATION SHEET

MODEL : SF-QRGH 10HP 4P RATIO 1:10 (HT)

USED FOR : GEAR MOTOR

| DESCRIPTION | DETAIL | | |
|----------------------------------|---------------------------------|--|--|
| PHASE | 3 | | |
| MODEL NAME | SF-QRGH | | |
| RATED OUTPUT, HP (kW) | 10 (7.5) | | |
| POLE | 4 | | |
| CODE | MEATH CODE : 1G7010-0750H-HTQR0 | | |
| OUTLINE DRAWING NO. | ONM24O346-A | | |
| RATED VOLTAGE (V) | 380 | 415 | |
| RATED FREQUENCY (Hz) | 50 | 50 | |
| RATED CURRENT (A) | 15.4 | 14.7 | |
| RATED SPEED (min ⁻¹) | 145 | 146 | |
| RATED EFFICIENCY (%) | 86.0 | 86.7 | |
| EFFICIENCY CLASS | IE1 | | |
| THERMAL CLASS | 155(F) | | |
| RATING | S1 (CONTINUOUS) | | |
| ENCLOSURE CONSTRUCTION | TOTALLY ENCLOSED FAN COOLED | | |
| DEGREES OF PROTECTION | IP55 | | |
| METHOD OF COOLING | IC411 | | |
| FRAME NO. | 132M | | |
| WEIGHT (kg) | 123 | | |
| STANDARD | IEC 60034-1, IEC 60034-30-1 | | |
| INSTALLATION | FOOT MOUNTED | | |
| ROTATION | CCW (VIEWED FROM SHAFT END) | | |
| BEARING | LOAD SIDE | : 6310ZZ | |
| | OPPOSITE SIDE | : 6207ZZ | |
| BEARING GREASE | UREA GREASE | | |
| CIRCUMSTANCE CONDITION | AMBIENT TEMPERATURE | : -20 ~ +40°C | |
| | AMBIENT HUMIDITY | : 95%RH OR LESS | |
| | ABOVE SEA LEVEL | : 1000m OR LESS | |
| | ENVIRONMENT | : NO BURSTING/EROSIVE GAS OR VAPOR | |
| COLOR | MUNSELL N1.5 (BLACK) | | |
| TERMINAL BOX | NO. OF LEAD WIRES | : 6 | |
| | SOURCE CONNECTION | : TERMINAL BLOCK | |
| GEAR RATIO | 1:10 | | |
| GEAR LUBRICANT | OIL (Must be filled by user.) | | |
| SERVICE FACTOR | 1.4 | | |
| MATERIAL | FRAME | : STEEL PLATE | |
| | BRACKET (GEAR SIDE) | : N/A (Frame is directly connected to Gear case) | |
| | BRACKET (OPP SIDE) | : ALUMINIUM | |
| | GEAR CASE | : CAST IRON | |
| | SHAFT (MOTOR) | : STEEL | |
| | SHAFT (GEAR OUTPUT) | : STEEL | |
| | STATOR CORE | : ELECTRICAL STEEL | |
| | WIRE | : ENAMELLED COPPER MAGNET WIRE | |
| | ROTOR CORE | : ELECTRICAL STEEL | |
| | CONDUCTOR | : ALUMINIUM | |
| | TERMINAL BOX | : STEEL PLATE | |
| PAINING | : POLYURETHANE RESIN | | |
| PRODUCTION COUNTRY | THAILAND | | |

Specifications subject to change without notice.

SPECIFICATION SHEET NO.

SS-M-2945-B

MODEL SF-QRGH THREE PHASE INDUCTION MOTOR OUTLINE DRAWING

GEAR MOTOR

TOTALLY ENCLOSED FAN COOLED

DEGREES OF PROTECTION IP55

DUST & WATER JET PROOF

CUSTOMER _____

USER _____

FOR _____

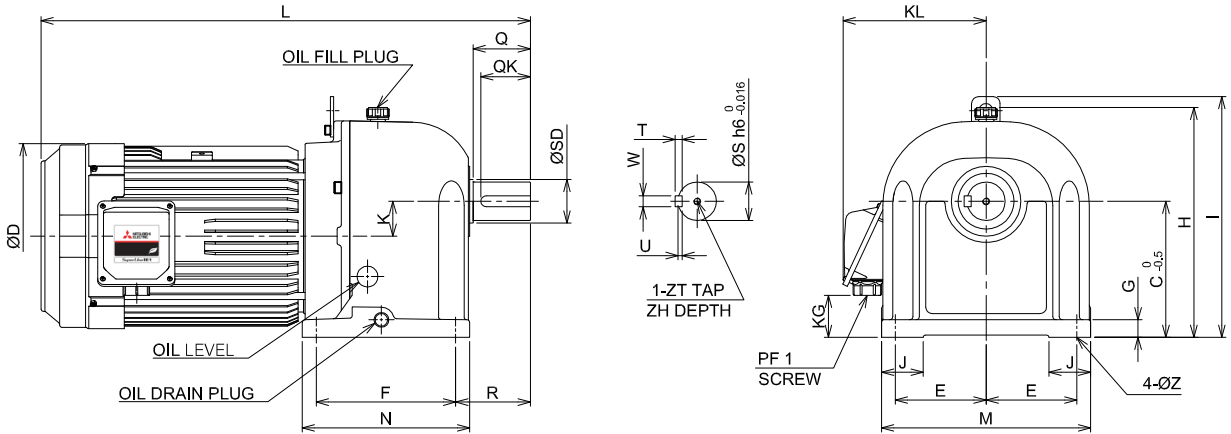
CUSTOMER'S

ORDER NO. _____

QUANTITY _____

MFG.

ORDER NO. _____



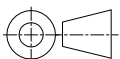
| YOUR ORDER | GEAR RATIO | DIMENSION(mm.) | | | | | | | | | | | | | | | | | | | | WEIGHT (kg.) | | | | | |
|------------|------------|----------------|----|----|-----|----|-----|-----|-----|----|----|---|-----|----|----|-----|-----|-----|----|-----|-----|--------------|-----|-----|-----|----|-----|
| | | L | Q | QK | ØD | K | F | R | N | T | W | U | ZT | ZH | ØS | ØSD | KL | KG | J | E | M | | G | C | H | I | ØZ |
| | 1:3~1:20 | 701.5 | 82 | 71 | 266 | 50 | 200 | 107 | 240 | 10 | 16 | 6 | M10 | 18 | 55 | 58 | 205 | 77 | 60 | 130 | 300 | 25 | 195 | 330 | 345 | 19 | 123 |
| | 1:25,1:30 | 720 | 90 | 72 | 266 | 60 | 230 | 120 | 280 | 11 | 18 | 7 | M10 | 18 | 60 | 63 | 205 | 102 | 70 | 150 | 350 | 30 | 230 | 380 | 395 | 24 | 144 |

| YOUR ORDER | MOTOR FRAME SIZE | RATING | TH. CLASS | AMB. TEMP | BEARINGS | | COLOR | GEAR RATIO | DIRECTION OF ROTATION (VIEWED FROM SHAFT END) | NO. OF LEAD WIRES | REMARKS |
|------------|------------------|------------|-----------|-----------|-----------|-----------|----------------------|------------|---|-------------------|---------|
| | | | | | LOAD SIDE | OPP. SIDE | | | | | |
| | 132M | S1 (CONT.) | 155(F) | 40°C | 6310ZZ | 6207ZZ | BLACK (MUNSELL N1.5) | 1:3~1:30 | CCW | 6 | |

| YOUR ORDER | RATIO | SERVICE FACTOR | MOTOR OUTPUT | | POLE | VOLT | HERTZ | OUTPUT SPEED (min ⁻¹) | AMP. | IE CODE - RATED EFF. | TYPE | LUBRICATION TYPE |
|------------|-------|----------------|--------------|-----|------|-------------|-------|-----------------------------------|----------------|-------------------------|------|--------------------|
| | | | HP | kW | | | | | | | | |
| | 1:3 | 1.4 | 10 | 7.5 | 4 | 220/380/415 | 50 | 505/505/510 | 26.8/15.5/15.0 | IE1 - 86.0%/86.0%/86.2% | LT | OIL ⁽¹⁾ |
| | 1:5 | 1.4 | 10 | 7.5 | 4 | 220/380/415 | 50 | 290/290/290 | | | | |
| | 1:10 | 1.4 | 10 | 7.5 | 4 | 220/380/415 | 50 | 145/145/146 | | | | |
| | 1:15 | 1.4 | 10 | 7.5 | 4 | 220/380/415 | 50 | 100/100/101 | | | | |
| | 1:20 | 1.4 | 10 | 7.5 | 4 | 220/380/415 | 50 | 72/72/72.5 | | | | |
| | 1:25 | 1.4 | 10 | 7.5 | 4 | 220/380/415 | 50 | 59/59/59.5 | | | | |
| | 1:30 | 1.4 | 10 | 7.5 | 4 | 220/380/415 | 50 | 52/52/52.5 | | | | |
| | 1:3 | 1.4 | 10 | 7.5 | 4 | 380/415 | 50 | 505/510 | 15.4/14.7 | IE1 - 86.0%/86.7% | HT | |
| | 1:5 | 1.4 | 10 | 7.5 | 4 | 380/415 | 50 | 290/290 | | | | |
| | 1:10 | 1.4 | 10 | 7.5 | 4 | 380/415 | 50 | 145/146 | | | | |
| | 1:15 | 1.4 | 10 | 7.5 | 4 | 380/415 | 50 | 100/101 | | | | |
| | 1:20 | 1.4 | 10 | 7.5 | 4 | 380/415 | 50 | 72/72.5 | | | | |
| | 1:25 | 1.4 | 10 | 7.5 | 4 | 380/415 | 50 | 59/59.5 | | | | |
| | 1:30 | 1.4 | 10 | 7.5 | 4 | 380/415 | 50 | 52/52.5 | | | | |

NOTE : (1) PLEASE FILL IN OIL BEFORE FIRST TIME USAGE. (SEE DETAIL IN THE INSTRUCTION MANUAL)

MITSUBISHI ELECTRIC AUTOMATION (THAILAND) CO.,LTD.



OUTLINE DRAWING NO.

REV.

DIMENSION IN mm.

SCALE : NTS

ONM240346

A