

MOTOR SPECIFICATION SHEET

MODEL : SF-QRGH 2HP 4P RATIO 1:30 (LT)

USED FOR : GEAR MOTOR

| DESCRIPTION | DETAIL | | | |
|----------------------------------|--|------|------|--|
| PHASE | 3 | | | |
| MODEL NAME | SF-QRGH | | | |
| RATED OUTPUT, HP (kW) | 2 (1.5) | | | |
| POLE | 4 | | | |
| CODE | MEATH CODE : 1G7030-0150N-LTQR0 | | | |
| OUTLINE DRAWING NO. | ONM94O342-A | | | |
| RATED VOLTAGE (V) | 220 | 380 | 415 | |
| RATED FREQUENCY (Hz) | 50 | 50 | 50 | |
| RATED CURRENT (A) | 6.1 | 3.5 | 3.5 | |
| RATED SPEED (min ⁻¹) | 49.5 | 49.5 | 50 | |
| RATED EFFICIENCY (%) | 83.0 | 83.0 | 83.5 | |
| EFFICIENCY CLASS | IE1 | | | |
| THERMAL CLASS | 155(F) | | | |
| RATING | S1 (CONTINUOUS) | | | |
| ENCLOSURE CONSTRUCTION | TOTALLY ENCLOSED FAN COOLED | | | |
| DEGREES OF PROTECTION | IP55 | | | |
| METHOD OF COOLING | IC411 | | | |
| FRAME NO. | 90L | | | |
| WEIGHT (kg) | 41 | | | |
| STANDARD | IEC 60034-1, IEC 60034-30-1 | | | |
| INSTALLATION | FOOT MOUNTED | | | |
| ROTATION | CCW (VIEWED FROM SHAFT END) | | | |
| BEARING | LOAD SIDE : 6305ZZ | | | |
| | OPPOSITE SIDE : 6204ZZ | | | |
| BEARING GREASE | UREA GREASE | | | |
| CIRCUMSTANCE CONDITION | AMBIENT TEMPERATURE : -20 ~ +40°C | | | |
| | AMBIENT HUMIDITY : 95%RH OR LESS | | | |
| | ABOVE SEA LEVEL : 1000m OR LESS | | | |
| | ENVIRONMENT : NO BURSTING/EROSIVE GAS OR VAPOR | | | |
| COLOR | MUNSELL N1.5 (BLACK) | | | |
| TERMINAL BOX | NO. OF LEAD WIRES : 6 | | | |
| | SOURCE CONNECTION : TERMINAL BLOCK | | | |
| GEAR RATIO | 1:30 | | | |
| GEAR LUBRICANT | GREASE (Filled from factory.) | | | |
| SERVICE FACTOR | 1.4 | | | |
| MATERIAL | FRAME : STEEL PLATE | | | |
| | BRACKET (GEAR SIDE) : CAST IRON | | | |
| | BRACKET (OPP SIDE) : ALUMINIUM | | | |
| | GEAR CASE : CAST IRON | | | |
| | SHAFT (MOTOR) : STEEL | | | |
| | SHAFT (GEAR OUTPUT) : STEEL | | | |
| | STATOR CORE : ELECTRICAL STEEL | | | |
| | WIRE : ENAMELLED COPPER MAGNET WIRE | | | |
| | ROTOR CORE : ELECTRICAL STEEL | | | |
| | CONDUCTOR : ALUMINIUM | | | |
| | TERMINAL BOX : STEEL PLATE | | | |
| PRODUCTION COUNTRY | PAINTING : POLYURETHANE RESIN | | | |
| | THAILAND | | | |

Specifications subject to change without notice.

SPECIFICATION SHEET NO.

SS-M-9888-B

MODEL SF-QRGH THREE PHASE INDUCTION MOTOR OUTLINE DRAWING

GEAR MOTOR

TOTALLY ENCLOSED FAN COOLED

DEGREES OF PROTECTION IP55

DUST & WATER JET PROOF

CUSTOMER _____

USER _____

FOR _____

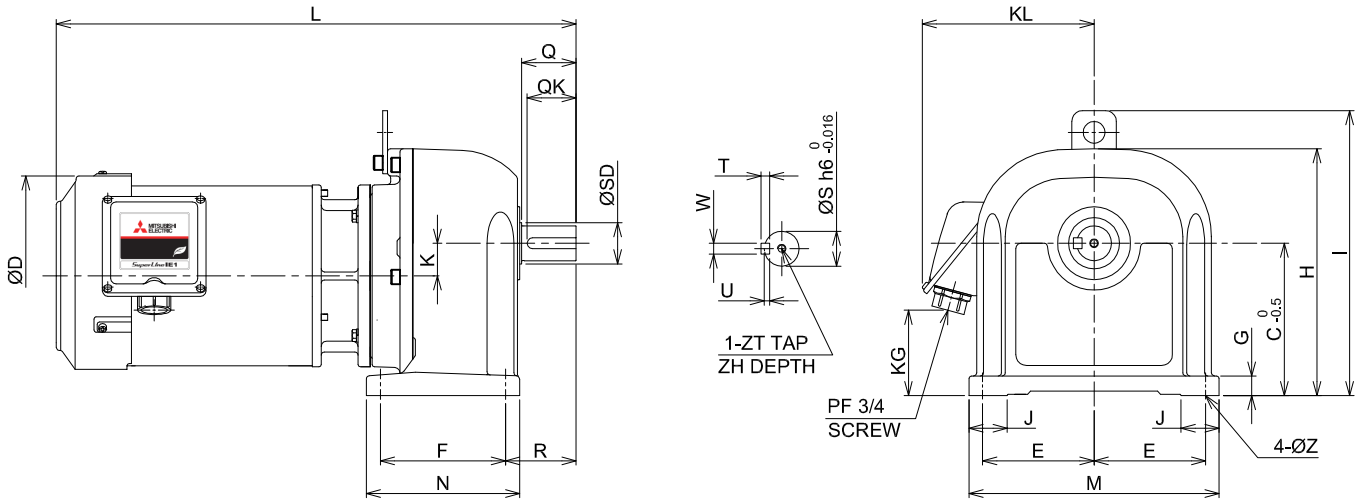
CUSTOMER'S

ORDER NO. _____

QUANTITY _____

MFG.

ORDER NO. _____



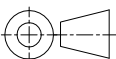
| YOUR ORDER | GEAR RATIO | DIMENSION(mm.) | | | | | | | | | | | | | | | | | | | | WEIGHT (kg.) | | | | | |
|------------|------------|----------------|----|----|-----|----|-----|----|-----|---|----|-----|----|----|----|-----|-----|------|----|-------|-----|--------------|-----|-----|-----|----|----|
| | | L | Q | QK | ØD | K | F | R | N | T | W | U | ZT | ZH | ØS | ØSD | KL | KG | J | E | M | | G | C | H | I | ØZ |
| | 1:3~1:30 | 478 | 50 | 45 | 184 | 30 | 115 | 65 | 141 | 8 | 10 | 5 | M8 | 12 | 32 | 34 | 158 | 78.4 | 35 | 102.5 | 230 | 18 | 140 | 227 | 262 | 12 | 41 |
| | 1:40,1:50 | 517.5 | 60 | 55 | 184 | 32 | 150 | 80 | 187 | 8 | 12 | 5 | M8 | 12 | 40 | 45 | 158 | 81.4 | 45 | 107.5 | 250 | 22 | 145 | 230 | 265 | 15 | 53 |
| | 1:60 | 544 | 75 | 70 | 184 | 40 | 170 | 95 | 206 | 9 | 14 | 5.5 | M8 | 12 | 48 | 50 | 158 | 98.4 | 50 | 125 | 285 | 22 | 170 | 275 | 310 | 15 | 67 |

| YOUR ORDER | MOTOR FRAME SIZE | RATING | TH. CLASS | AMB. TEMP | BEARINGS | | COLOR | GEAR RATIO | DIRECTION OF ROTATION (VIEWED FROM SHAFT END) | NO. OF LEAD WIRES | REMARKS |
|------------|------------------|------------|-----------|-----------|-----------|-----------|----------------------|------------|---|-------------------|---------|
| | | | | | LOAD SIDE | OPP. SIDE | | | | | |
| | 90L | S1 (CONT.) | 155(F) | 40°C | 6305ZZ | 6204ZZ | BLACK (MUNSELL N1.5) | 1:3~1:30 | CCW | 6 | |
| | | | | | | | 1:40~1:60 | CW | | | |

| YOUR ORDER | RATIO | SERVICE FACTOR | MOTOR HP | OUTPUT kW | POLE | VOLT | HERTZ | OUTPUT SPEED (min ⁻¹) | AMP. | IE CODE - RATED EFF. | TYPE | LUBRICATION TYPE |
|------------|-------|----------------|----------|-----------|------|-------------|-------|-----------------------------------|-------------|-----------------------|------|------------------|
| | 1:3 | 1.4 | 2 | 1.5 | 4 | 220/380/415 | 50 | 490/490/490 | 6.1/3.5/3.5 | IE1-83.0%/83.0%/83.5% | LT | GREASE (1) |
| | 1:5 | 1.4 | 2 | 1.5 | 4 | 220/380/415 | 50 | 290/290/290 | | | | |
| | 1:10 | 1.4 | 2 | 1.5 | 4 | 220/380/415 | 50 | 144/144/145 | | | | |
| | 1:15 | 1.4 | 2 | 1.5 | 4 | 220/380/415 | 50 | 96/96/97 | | | | |
| | 1:20 | 1.4 | 2 | 1.5 | 4 | 220/380/415 | 50 | 71.5/71.5/72 | | | | |
| | 1:25 | 1.4 | 2 | 1.5 | 4 | 220/380/415 | 50 | 60/60/60.5 | | | | |
| | 1:30 | 1.4 | 2 | 1.5 | 4 | 220/380/415 | 50 | 49.5/49.5/50 | | | | |
| | 1:40 | 1.4 | 2 | 1.5 | 4 | 220/380/415 | 50 | 34.5/34.5/35 | | | | |
| | 1:50 | 1.4 | 2 | 1.5 | 4 | 220/380/415 | 50 | 31/31/31.5 | | | | |
| | 1:60 | 1.4 | 2 | 1.5 | 4 | 220/380/415 | 50 | 25/25/25 | | | | |

NOTE : (1) GREASE HAD BEEN FILLED FROM MANUFACTURER ALREADY.

MITSUBISHI ELECTRIC AUTOMATION (THAILAND) CO.,LTD.



OUTLINE DRAWING NO.

REV.

DIMENSION IN mm.

SCALE : NTS

ONM940342

A