



MITSUBISHI ELECTRIC AUTOMATION (THAILAND) CO., LTD.
 Bang-Chan Industrial Estate No. 111 Moo 4, Serithai Rd., T.Kannayao, A.Kannayao, BKK 10230 Thailand
 Tel: (66) 2517-1326, (66) 2919-9873 Fax: (66) 2517-1328 URL: www.meath-co.com E-mail: support@meath.co.th
บริษัท มิทซูบิชิ อิเล็กทริก ออโตเมชัน (ประเทศไทย) จำกัด
 นิคมอุตสาหกรรมบางชัน เลขที่ 111 หมู่ 4 ถนนเสรีไทย แขวงคันทนายาว เขตคันทนายาว กทม. 10230
 โทรศัพท์: (66) 2517-1326, (66) 2919-9873 โทรสาร: (66) 2517-1328 URL: www.meath-co.com E-mail: support@meath.co.th

MOTOR SPECIFICATION SHEET

MODEL : SF-QRV 1/2HP 4P (LT)
 USED FOR : STANDARD

| DESCRIPTION | DETAIL | | | |
|----------------------------------|--|------|------|--|
| PHASE | 3 | | | |
| MODEL NAME | SF-QRV | | | |
| RATED OUTPUT, HP (kW) | 1/2 (0.4) | | | |
| POLE | 4 | | | |
| CODE | MEATH CODE : 1M002V-400040QVGD0 | | | |
| OUTLINE DRAWING NO. | ONM740181-B | | | |
| RATED VOLTAGE (V) | 220 | 380 | 415 | |
| RATED FREQUENCY (Hz) | 50 | 50 | 50 | |
| RATED CURRENT (A) | 2.00 | 1.14 | 1.18 | |
| RATED SPEED (min ⁻¹) | 1400 | 1400 | 1420 | |
| RATED EFFICIENCY (%) | 73.3 | 73.3 | 72.0 | |
| EFFICIENCY CLASS | IE1 | | | |
| THERMAL CLASS | 155(F) | | | |
| RATING | S1 (CONTINUOUS) | | | |
| ENCLOSURE CONSTRUCTION | TOTALLY ENCLOSED FAN COOLED | | | |
| DEGREES OF PROTECTION | IP55 | | | |
| METHOD OF COOLING | IC411 | | | |
| FRAME NO. | 71M | | | |
| WEIGHT (kg) | 8.7 | | | |
| STANDARD | IEC 60034-1, IEC 60034-30-1 | | | |
| INSTALLATION | FLANGE MOUNTED (VERTICAL) | | | |
| ROTATION | CCW (VIEWED FROM SHAFT END) | | | |
| BEARING | LOAD SIDE : 6202ZZ | | | |
| | OPPOSITE SIDE : 6201ZZ | | | |
| BEARING GREASE | UREA GREASE | | | |
| NOISE (db.A) | 61 | | | |
| VIBRATION | V15 | | | |
| CIRCUMSTANCE CONDITION | AMBIENT TEMPERATURE : -20 ~ +40°C | | | |
| | AMBIENT HUMIDITY : 95%RH OR LESS | | | |
| | ABOVE SEA LEVEL : 1000m OR LESS | | | |
| | ENVIRONMENT : NO BURSTING/EROSIVE GAS OR VAPOR | | | |
| COLOR | MUNSELL N1.5 (BLACK) | | | |
| TERMINAL BOX | NO. OF LEAD WIRES : 6 | | | |
| | SOURCE CONNECTION : TERMINAL BLOCK | | | |
| SHAFT SWING | ≤0.03mm | | | |
| MATERIAL | FRAME : STEEL PLATE | | | |
| | BRACKET LOAD SIDE : CAST IRON (FLANGE) | | | |
| | OPPOSITE SIDE : STEEL PLATE | | | |
| | SHAFT : CARBON STEEL | | | |
| | STATOR CORE : ELECTRICAL STEEL | | | |
| | WIRE : ENAMELLED COPPER MAGNET WIRE | | | |
| | ROTOR CORE : ELECTRICAL STEEL | | | |
| | CONDUCTOR : ALUMINIUM | | | |
| | TERMINAL BOX : STEEL PLATE | | | |
| | PAINTING : POLYURETHANE RESIN | | | |
| PRODUCTION COUNTRY | THAILAND | | | |

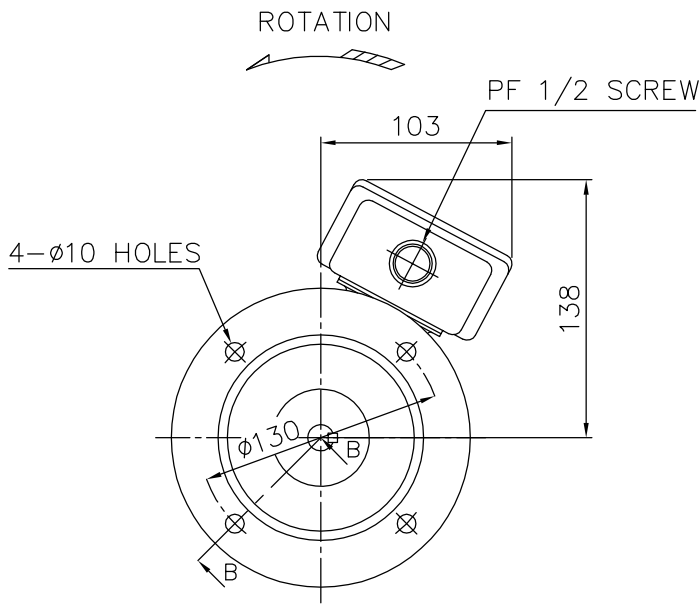
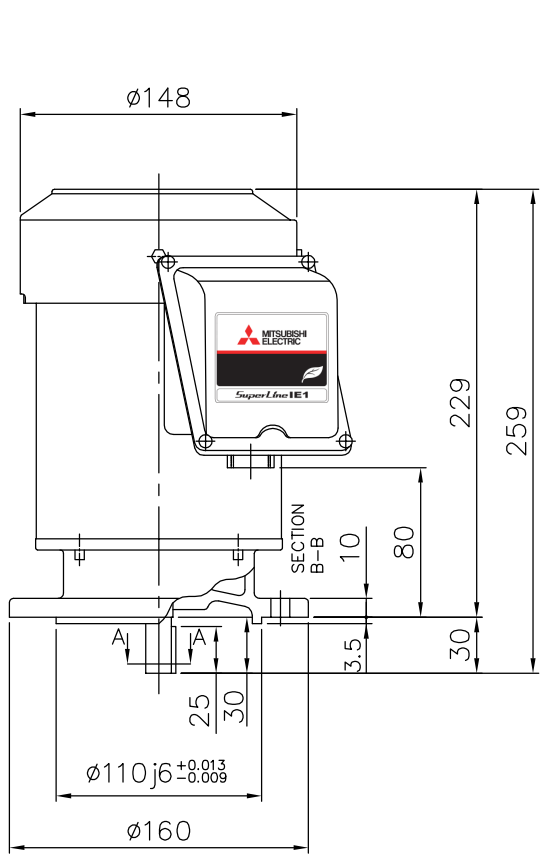
Specifications subject to change without notice.

| | | | | |
|--------------------------------|--|--|--|--|
| SPECIFICATION SHEET NO. | | | | |
| SS-M-7965-A | | | | |

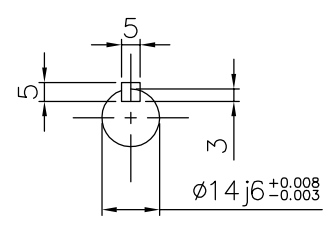
MODEL SF-QRV THREE PHASE INDUCTION MOTOR OUTLINE DRAWING

TOTALLY ENCLOSED FAN COOLED TYPE
 DEGREES OF PROTECTION IP55
 DUST & WATER JET PROOF

CUSTOMER _____
 USER _____
 FOR _____
 CUSTOMER'S ORDER NO. _____
 QUANTITY _____
 MFG. ORDER NO. _____



BOTTOM VIEW OF SHAFT END



SECTION A-A

| YOUR ORDER | FRAME SIZE | RATING | TH. CLASS | AMB. TEMP. | BEARINGS | | COLOR | DIRECTION OF ROTATION (VIEWED FROM SHAFT END) | NO. OF LEAD WIRES | REMARKS |
|------------|------------|------------|-----------|------------|-----------|-----------|----------------------|---|-------------------|---------|
| | | | | | LOAD SIDE | OPP. SIDE | | | | |
| | 71M | S1 (CONT.) | 155(F) | 40°C | 6202ZZ | 6201ZZ | BLACK (MUNSELL N1.5) | CCW | 6 | |

| YOUR ORDER | OUTPUT | | POLES | VOLT | HERTZ | AMP. | RPM | IE CODE-RATED EFF. | REMARKS |
|------------|--------|-----|-------|-------------|-------|----------------|----------------|--------------------------|---------|
| | HP | kW | | | | | | | |
| | 1/2 | 0.4 | 2 | 220/380/415 | 50 | 1.80/1.05/1.00 | 2830/2830/2860 | IE1 70.7%/70.7%/73.6% | LT |
| | 1/2 | 0.4 | 4 | 220/380/415 | 50 | 2.00/1.14/1.18 | 1400/1400/1420 | IE1 73.3%/73.3%/72.0% | LT |
| | 1/4 | 0.2 | 6 | 220/380/415 | 50 | 1.23/0.71/0.74 | 920/920/930 | IE1 64.5%/64.5%/63.5% | LT |

MITSUBISHI ELECTRIC AUTOMATION (THAILAND) CO., LTD.

| | | | |
|-------------|------------------|---------------------|------|
| | | OUTLINE DRAWING NO. | REV. |
| | DIMENSION IN mm. | 0 N M 7 4 0 1 8 1 | B |
| SCALE : NTS | | | |