

MOTOR SPECIFICATION SHEET

MODEL : SF-QV 10HP 6P (HT)

USED FOR : STANDARD

DESCRIPTION	DETAIL		
PHASE	3		
MODEL NAME	SF-QV		
RATED OUTPUT, HP (kW)	10 (7.5)		
POLE	6		
CODE	MEATH CODE : 1M002V-600750QVMJ0		
OUTLINE DRAWING NO.	ONM34O488-D		
RATED VOLTAGE (V)	380	415	
RATED FREQUENCY (Hz)	50	50	
RATED CURRENT (A)	17.1	17.0	
RATED SPEED (min ⁻¹)	965	970	
RATED EFFICIENCY (%)	84.7	84.7	
EFFICIENCY CLASS	IE1		
THERMAL CLASS	155(F)		
RATING	S1 (CONTINUOUS)		
ENCLOSURE CONSTRUCTION	TOTALLY ENCLOSED FAN COOLED		
DEGREES OF PROTECTION	IP55		
METHOD OF COOLING	IC411		
FRAME NO.	160M		
WEIGHT (kg)	110		
STANDARD	IEC 60034-1, IEC 60034-30-1		
INSTALLATION	FLANGE MOUNTED (VERTICAL)		
ROTATION	CCW (VIEWED FROM SHAFT END)		
BEARING	LOAD SIDE	: 6309ZZ	
	OPPOSITE SIDE	: 6308ZZ	
BEARING GREASE	UREA GREASE		
NOISE (dB.A)	70		
VIBRATION	V15		
CIRCUMSTANCE CONDITION	AMBIENT TEMPERATURE	: -20 ~ +40°C	
	AMBIENT HUMIDITY	: 95%RH OR LESS	
	ABOVE SEA LEVEL	: 1000m OR LESS	
	ENVIRONMENT	: NO BURSTING/EROSIVE GAS OR VAPOR	
COLOR	MUNSELL N1.5 (BLACK)		
TERMINAL BOX	NO. OF LEAD WIRES	: 6	
	SOURCE CONNECTION	: LEAD WIRES	
SHAFT SWING	≤0.05mm		
MATERIAL	FRAME	: CAST IRON	
	BRACKET	LOAD SIDE	: CAST IRON (FLANGE)
		OPPOSITE SIDE	: CAST IRON
	SHAFT	: CARBON STEEL	
	STATOR CORE	: ELECTRICAL STEEL	
	WIRE	: ENAMELLED COPPER MAGNET WIRE	
	ROTOR CORE	: ELECTRICAL STEEL	
	CONDUCTOR	: ALUMINIUM	
	TERMINAL BOX	: STEEL PLATE	
PAINTING	: POLYURETHANE RESIN		
PRODUCTION COUNTRY	THAILAND		

Specifications subject to change without notice.

SPECIFICATION SHEET NO.

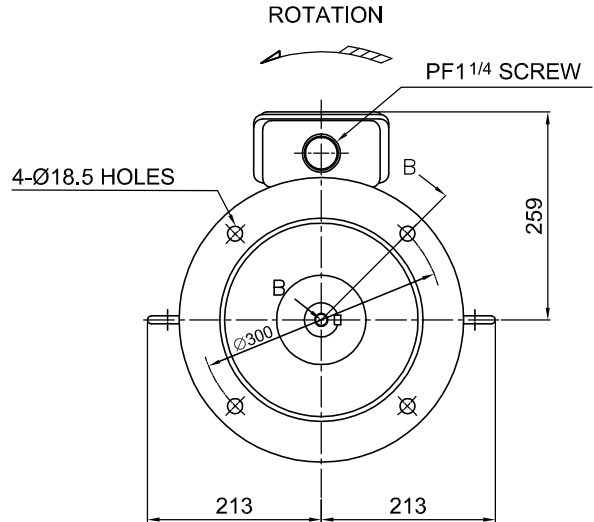
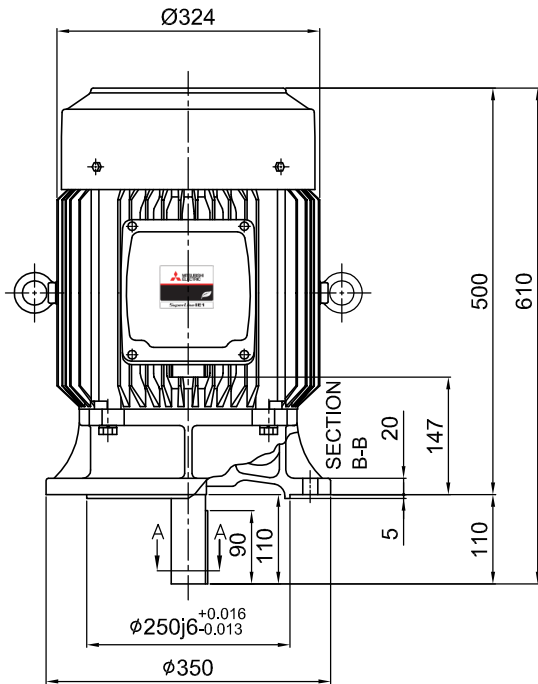
SS-N-3253-A

MODEL SF-QV THREE PHASE INDUCTION MOTOR

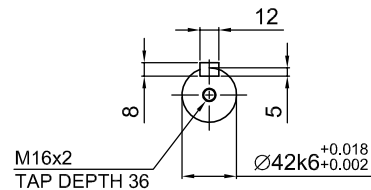
OUTLINE DRAWING

TOTALLY ENCLOSED FAN COOLED
 DEGREES OF PROTECTION IP55
 DUST & WATER JET PROOF

CUSTOMER _____
 USER _____
 FOR _____
 CUSTOMER'S ORDER NO. _____
 QUANTITY _____
 MFG. ORDER NO. _____



BOTTOM VIEW OF SHAFT END

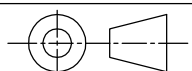


SECTION A-A

YOUR ORDER	FRAME SIZE	RATING	TH. CLASS	AMB. TEMP.	BEARINGS		COLOR	DIRECTION OF ROTATION (VIEWED FROM SHAFT END)	NO. OF LEAD WIRES	REMARKS
					LOAD SIDE	OPP. SIDE				
	160M	S1 (CONT.)	155(F)	40°C	6309ZZ	6308ZZ	BLACK (MUNSELL N1.5)	CCW	6	

YOUR ORDER	OUTPUT		POLES	VOLTS	HERTZ	AMP.	RPM	IE CODE-RATED EFF.	REMARKS
	HP	KW							
	15	11	2	380/415	50	22.1/21.0	2915/2930	IE1-87.6%/87.9%	HT
	20	15	2	380/415	50	29.5/28.1	2910/2930	IE1-88.7%/89.1%	HT
	15	11	4	380/415	50	22.7/22.1	1455/1465	IE1-87.6%/87.9%	HT
	10	7.5	6	380/415	50	17.1/17.0	965/970	IE1-84.7%/84.7%	HT
	15	11	2	220/380/415	50	38.3/22.1/21.0	2915/2915/2930	IE1-87.6%/87.6%/87.9%	LT
	20	15	2	220/380/415	50	51.4/29.7/28.4	2910/2910/2930	IE1-88.7%/88.7%/89.1%	LT
	15	11	4	220/380/415	50	39.0/22.5/21.7	1455/1455/1465	IE1-87.6%/87.6%/87.7%	LT
	10	7.5	6	220/380/415	50	29.1/16.8/16.4	965/965/970	IE1-84.7%/84.7%/85.2%	LT

MITSUBISHI ELECTRIC AUTOMATION (THAILAND) CO., LTD.



DIMENSION IN mm.

SCALE : NTS

OUTLINE DRAWING NO.

ONM340488

REV.

D