



MITSUBISHI ELECTRIC AUTOMATION (THAILAND) CO., LTD.

Bang-Chan Industrial Estate No. 111 Moo 4, Serithai Rd., T.Kannayao, A.Kannayao, BKK 10230 Thailand
Tel: (66) 2517-1326, (66) 2919-9873 Fax: (66) 2517-1328 URL: www.meath-co.com E-mail: support@meath.co.th

บริษัท มิทซูบิชิ อิเล็กทริก ออโตเมชัน (ประเทศไทย) จำกัด

นิติบุคคลสาขารวมบางชั้น เลขที่ 111 หมู่ 4 ถนนเสรีไทย แขวงคันนายาว เขตคันนายาว กทม. 10230

โทรศัพท์: (66) 2517-1326, (66) 2919-9873 โทรสาร: (66) 2517-1328 URL: www.meath-co.com E-mail: support@meath.co.th

MOTOR SPECIFICATION SHEET

MODEL : SP-QR 1/2HP 4P

USED FOR : STANDARD

DESCRIPTION	DETAIL				
PHASE	1				
TYPE	SPLIT PHASE START				
MODEL NAME	SP-QR				
RATED OUTPUT, HP (kW)	1/2 (0.4)				
POLE	4				
CODE	MEATH CODE : 1M001P-400040QRER2				
OUTLINE DRAWING NO.	ONM84O525-*				
RATED VOLTAGE (V)	220	230	220		
RATED FREQUENCY (Hz)	50	50	60		
RATED CURRENT (A)	4.8	5.1	4.0		
RATED SPEED (min ⁻¹)	1445	1450	1740		
RATED EFFICIENCY (%)	66.8	66.8	70.0		
EFFICIENCY CLASS	IE1				
THERMAL CLASS	120(E)				
RATING	S1 (CONTINUOUS)				
ENCLOSURE CONSTRUCTION	OPEN-PROTECTED				
DEGREES OF PROTECTION	IP20				
METHOD OF COOLING	IC01				
FRAME NO.	80M				
WEIGHT (kg)	11				
STANDARD	JEC-2137-2000				
EFFICIENCY RULE	IEC 60034-30-1				
INSTALLATION	FOOT MOUNTED				
ROTATION	CCW (VIEWED FROM SHAFT END)				
BEARING	LOAD SIDE : 6203ZZ				
	OPPOSITE SIDE : 6202ZZ				
BEARING GREASE	UREA GREASE				
VIBRATION	V20				
CIRCUMSTANCE CONDITION	AMBIENT TEMPERATURE : -20 ~ +40°C				
	AMBIENT HUMIDITY : 85%RH OR LESS				
	ABOVE SEA LEVEL : 1000m OR LESS				
	ENVIRONMENT : NO BURSTING/EROSIVE GAS OR VAPOR				
COLOR	MUNSELL N1.5 (BLACK)				
TERMINAL BOX	NO. OF LEAD WIRES : 2				
	SOURCE CONNECTION : TERMINAL BLOCK				
SHAFT SWING	≤0.03mm				
MATERIAL	FRAME : STEEL PLATE				
	BRACKET : ALUMINIUM				
	SHAFT : CARBON STEEL				
	STATOR CORE : ELECTRICAL STEEL				
	WIRE : ENAMELLED COPPER MAGNET WIRE				
	ROTOR CORE : ELECTRICAL STEEL				
	CONDUCTOR : ALUMINIUM				
	TERMINAL BOX : PLASTIC				
PAINTING : ALKYD-NITROCELLULOSE RESIN					
PRODUCTION COUNTRY	THAILAND				

Specifications subject to change without notice.

SPECIFICATION SHEET NO.				
SS-M-8152-A				

MODEL SP-QR SINGLE PHASE INDUCTION MOTOR OUTLINE DRAWING

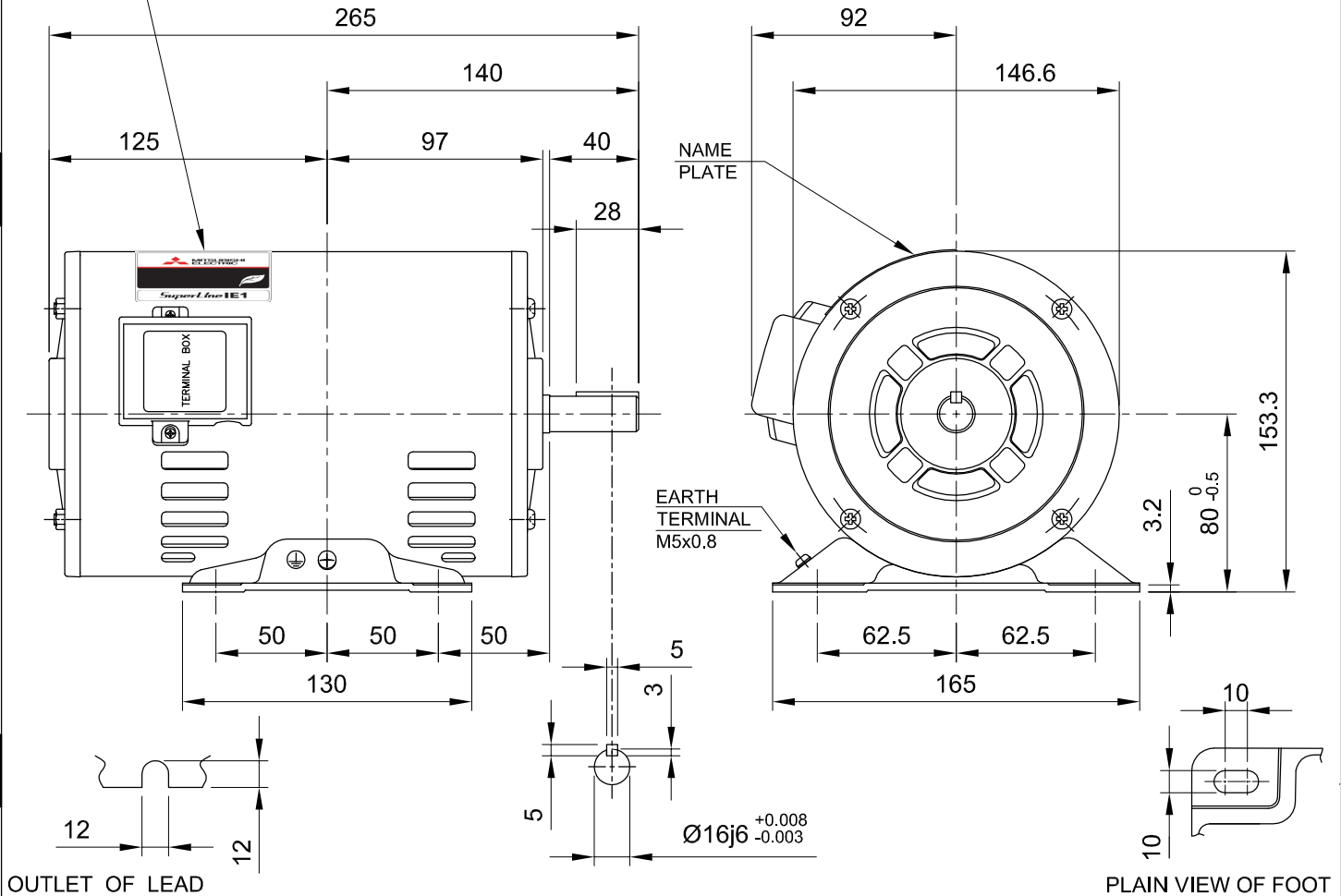
SPLIT PHASE START TYPE
DEGREES OF PROTECTION IP20

STARTING CAPACITOR	-
RUNNING CAPACITOR	-

CUSTOMER	
USER	
FOR	
CUSTOMER'S ORDER NO.	
QUANTITY	
MFG. ORDER NO.	



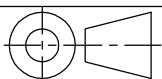
ROTATION
↻



FRAME SIZE	RATING	TH. CLASS	AMB. TEMP.	BEARINGS		COLOR	DIRECTION OF ROTATION	NO. OF LEAD WIRES
				LOAD SIDE	OPP. SIDE			
80M	S1	120(E)	40°C	6203ZZ	6202ZZ	BLACK (MUNSELL N1.5)	CCW	2 WITH TERMINAL BOARD

OUTPUT		POLE	VOLT	HERTZ	AMP	RPM	IE CODE - RATED EFF.	REMARK
HP	KW							
1/2	0.4	4	220/230	50	4.8/5.1	1445/1450	IE1- 66.8% / IE1- 66.8%	
			220	60	4.0	1740	IE1- 70.0%	

MITSUBISHI ELECTRIC AUTOMATION (THAILAND) CO.,LTD.



DIMENSION IN mm.
SCALE : NTS.

OUTLINE DRAWING NO.

ONM840525

REV.

