



**TYPE**  
**MF-33E**

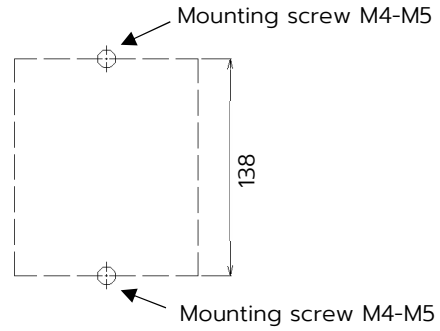
**Technical Data**  
**Watt-Hour Meter MF-33E 15(45)A**

Model Code	MF-33E 15(45) A
Standard	TIS 2336-2552, IEC 62052-11, IEC 62053-11
Display	Register
Energy (kWh)	4 integer + 1 decimal
Display Item	kWh
<b>OPERATING CONDITION</b>	
Power System	1-Phase 2-Wire
Reference Voltage	220 V
Operating Voltage	198-242 V
Rated Current	15(45) A
Reference Frequency	50 Hz
Temperature/Humidity	0-70 °C / 0-98 %RH (non-condensing)
<b>ELECTRICAL CHARACTERISTICS</b>	
Accuracy	Class 2
Meter Constant	400 rev/kWh
Power Consumption Voltage Circuit Current Circuit	< 2 W / 10 VA < 2.5 VA
Starting Current	75 mA
Over Current	54 A (continue for 30 minutes)
Impulse Voltage	6 kV
<b>MECHANICAL CONSTRUCTION</b>	
Protective Class	Class I
Enclosure Protection	IP54 Weather proof
Applicable Conductors	10-16 mm <sup>2</sup>
Mounting	2 points
Weight	1.33 kg.

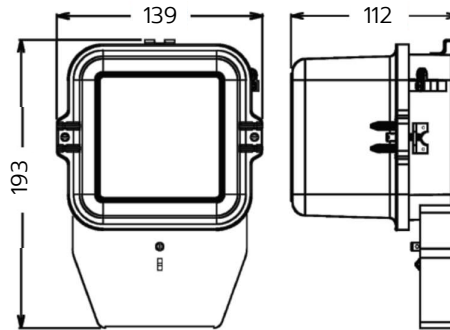
Model Code

MF-33E 15(45) A

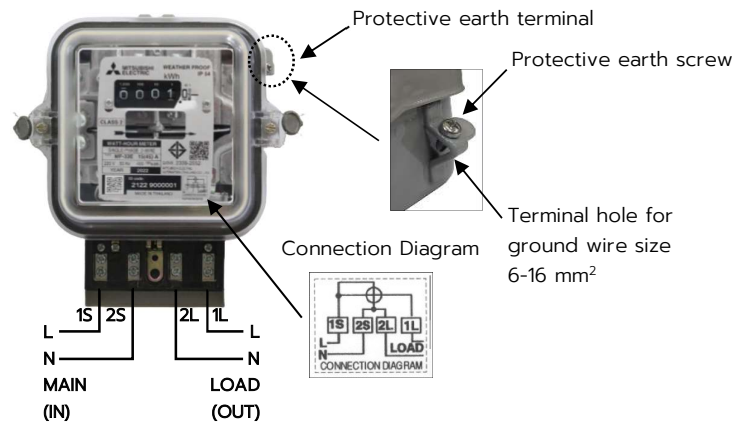
Dimensions of Mounting Point (mm)



Dimensions (mm)



Connection Diagram



Specifications are subject to change without notice.

**MITSUBISHI ELECTRIC AUTOMATION (THAILAND) CO., LTD.**

Bang-Chan Industrial Estate No.111 Soi Serithai 54, T.Kannayao, A.Kannayao, Bangkok 10230, Thailand  
Tel: (66)2517-1326, (66)2919-9873 URL: [www.mitsubishi-meath.com/meter](http://www.mitsubishi-meath.com/meter) E-mail: [meter\\_support@meath.co.th](mailto:meter_support@meath.co.th)

MSD-U0023