



TYPE  
MH-96

# Technical Data

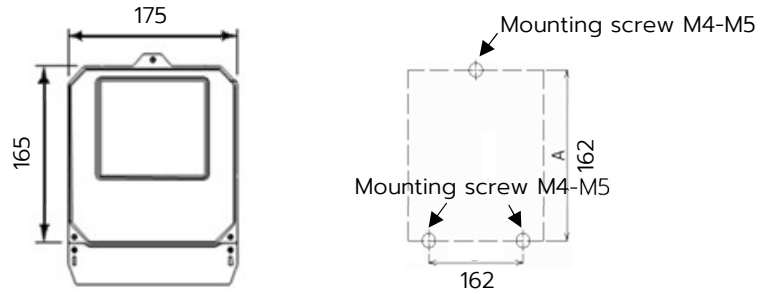
## Watt-Hour Meter MH-96 15(45)A

Model Code	MH-96 15(45) A
Standard	TIS 2336-2552, IEC 62052-11, IEC 62053-11
Display	Register
Energy (kWh)	5 integer
Display Item	kWh
<b>OPERATING CONDITION</b>	
Power System	3-Phase 4-Wire
Reference Voltage	3x220/380 V
Operating Voltage	198/342-242/419 V
Rated Current	15(45) A
Reference Frequency	50 Hz
Temperature/Humidity	0-55 °C / 0-95 %RH (non-condensing)
<b>ELECTRICAL CHARACTERISTICS</b>	
Accuracy	Class 2
Meter Constant	80 rev/kWh
Power Consumption Voltage Circuit Current Circuit	< 2 W / 10 VA < 2.5 VA
Starting Current	75 mA
Over Current	54 A (continue for 30 minutes)
Impulse Voltage	6 kV
<b>MECHANICAL CONSTRUCTION</b>	
Protective Class	Class II (double insulation)
Enclosure Protection	IP51 Indoor use
Applicable Conductors	10-16 mm <sup>2</sup>
Mounting	3 points
Weight	4.00 kg.

Model Code

MH-96 15(45) A

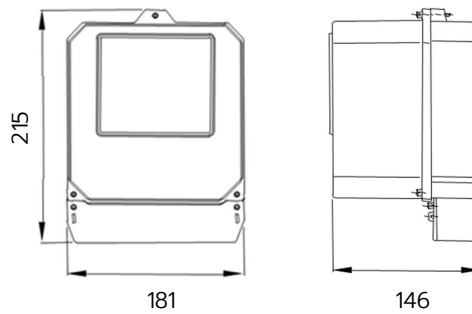
Panel Hole Dimensions (mm) and Dimensions of Mounting Point (mm)



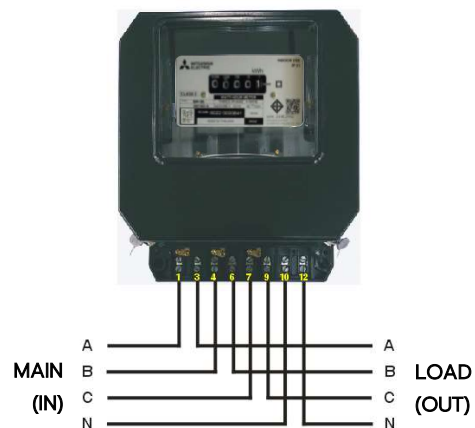
Panel Hole Dimensions

Dimensions of Mounting Point

Dimensions (mm)



Connection Diagram



Specifications are subject to change without notice.

**MITSUBISHI ELECTRIC AUTOMATION (THAILAND) CO., LTD.**

Bang-Chan Industrial Estate No.111 Soi Serithai 54, T.Kannayao, A.Kannayao, Bangkok 10230, Thailand  
Tel: (66)2517-1326, (66)2919-9873 URL: [www.mitsubishi-meath.com/meter](http://www.mitsubishi-meath.com/meter) E-mail: [meter\\_support@meath.co.th](mailto:meter_support@meath.co.th)

MSD-U0026