



TYPE  
MH-96

## Technical Data

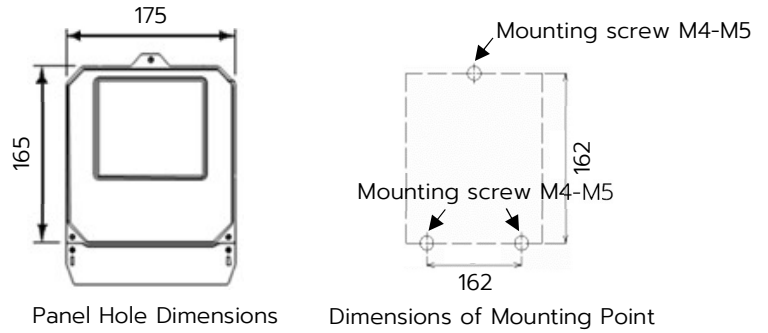
### Watt-Hour Meter MH-96 30(100) A

Model Code	MH-96 30(100) A
Standard	TIS 2336-2552, IEC 62052-11, IEC 62053-11
Display	Register
Energy (kWh)	5 integer
ค่าที่แสดงบนหน้าจอ : Display Item	kWh
<b>OPERATING CONDITION</b>	
Power System	3-Phase 4-Wire
Reference Voltage	3x220/380 V
Operating Voltage	198/342-242/419 V
Rated Current	30(100) A
Reference Frequency	50 Hz
Temperature/Humidity	0-55 °C / 0-95 %RH (non-condensing)
<b>ELECTRICAL CHARACTERISTICS</b>	
Accuracy	Class 2
Meter Constant	40 rev/kWh
Power Consumption	
Voltage Circuit	< 2 W / 10 VA
Current Circuit	< 4 VA
Starting Current	150 mA
Over Current	120 A (continue for 30 minutes)
Impulse Voltage	6 kV
<b>MECHANICAL CONSTRUCTION</b>	
Protective Class	Class II (double insulation)
Enclosure Protection	IP51 Indoor use
Applicable Conductors	25-50 mm <sup>2</sup>
Mounting	3 points
Weight	4.00 kg

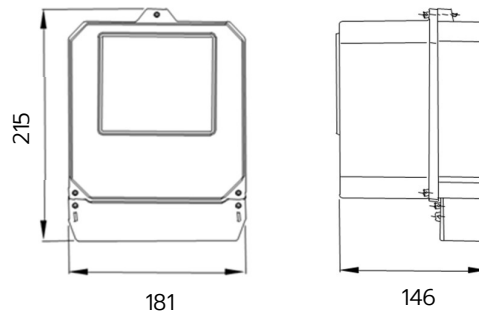
Model Code

MH-96 30(100) A

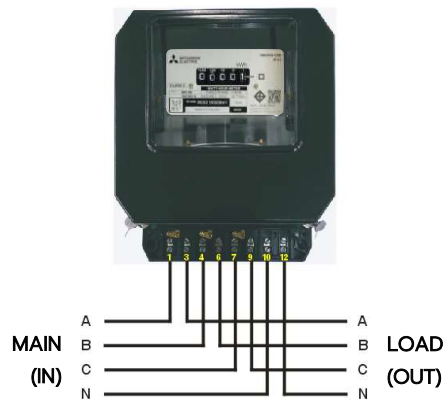
Panel Hole Dimensions (mm) and Dimensions of Mounting Point (mm)



Dimensions (mm)



Connection Diagram



Specifications are subject to change without notice.

**MITSUBISHI ELECTRIC AUTOMATION (THAILAND) CO., LTD.**

Bang-Chan Industrial Estate No.111 Soi Serithai 54, T.Kannayao, A.Kannayao, Bangkok 10230, Thailand  
Tel: (66)2517-1326, (66)2919-9873 URL: [www.mitsubishi-meath.com/meter](http://www.mitsubishi-meath.com/meter) E-mail: [meter\\_support@meath.co.th](mailto:meter_support@meath.co.th)  
MSD-U0027