



TYPE
MH-96H

Technical Data

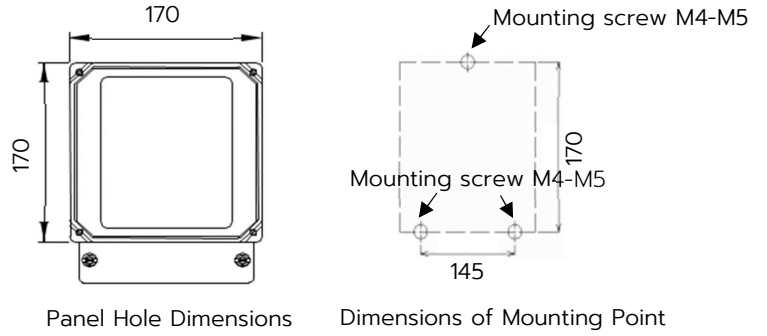
Watt-Hour Meter MH-96H CT Operated Type

Model Code	MH-96H 5(6) A
Standard	TIS 2336-2552, IEC 62052-11, IEC 62053-11
Display	Register
Energy (kWh)	4 integer + 1 decimal
Display Item	kWh
OPERATING CONDITION	
Power System	3-Phase 4-Wire
Reference Voltage	3x220/380 V
Operating Voltage	198/342-242/419 V
Rated Current	5(6) A (CT operated)
Reference Frequency	50 Hz
Temperature/Humidity	0-55 °C / 0-95 %RH (non-condensing)
ELECTRICAL CHARACTERISTICS	
Accuracy	Class 2
Meter Constant	480 rev/kWh
Power Consumption Voltage Circuit Current Circuit	< 2 W / 10 VA < 2.5 VA
Starting Current	15 mA
Over Current	7.2 A (continue for 30 minutes)
Impulse Voltage	6 kV
MECHANICAL CONSTRUCTION	
Protective Class	Class II (double insulation)
Enclosure Protection	IP51 Indoor use
Applicable Conductors	2.5-10 mm ²
Mounting	3 points
Weight	3.00 kg

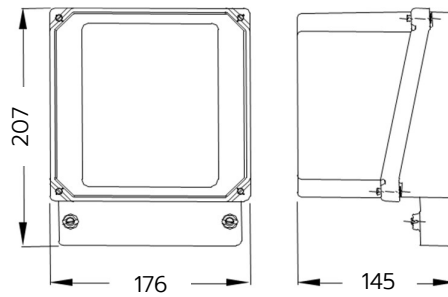
Model Code

MH-96H 5(6) A

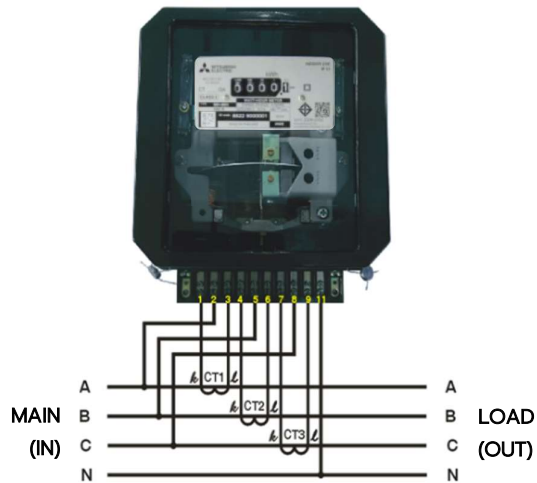
Panel Hole Dimensions (mm) and Dimensions of Mounting Point (mm)



Dimensions (mm)



Connection Diagram



Specifications are subject to change without notice.

MITSUBISHI ELECTRIC AUTOMATION (THAILAND) CO., LTD.

Bang-Chan Industrial Estate No.111 Soi Serithai 54, T.Kannayao, A.Kannayao, Bangkok 10230, Thailand
Tel: (66)2517-1326, (66)2919-9873 URL: www.mitsubishi-meath.com/meter E-mail: meter_support@meath.co.th

MSD-U0029