



TYPE
SX2

Technical Data

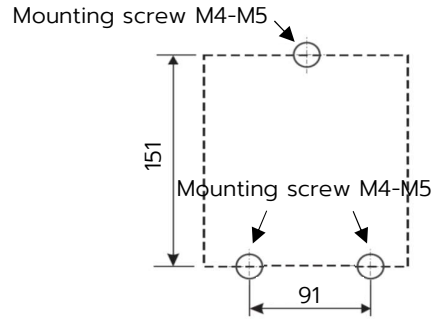
Electronic Meter SX2 C-Loop Model

Model Code	SX2-A35E
Standard	TIS 2543-2555, IEC 62052-11, IEC 62053-21
Display	LCD Display
Energy (kWh)	5 integer + 1 decimal
Display Item	kWh (import+export), Amp
OPERATING CONDITION	
Power System	1-Phase 2-Wire
Reference Voltage	220-230 V
Operating Voltage	176-264 V
Rated Current	5(100) A
Reference Frequency	50 Hz
Temperature/Humidity	0-55 °C / 0-95 %RH (non-condensing)
COMMUNICATION / SOFTWARE	
Communications Port	C-Loop (for connecting with AMR)
Protocol	Proprietary
Accessories (Optional)	<ul style="list-style-type: none"> · ADC · C-loop converter
Support Software	e-Smart Billing / e-Smart Energy (Windows 10 or later)
ELECTRICAL CHARACTERISTICS	
Accuracy	Class 1
LCD Pulse	1500 imp/kWh
Power Consumption	
Voltage Circuit	< 2 W / 10 VA
Current Circuit	< 4 VA
Starting Current	20 mA (at reference voltage)
Over Current	120 A (continue for 30 minutes)
Surge Immunity	4 kV
Impulse Voltage	6 kV
MECHANICAL CONSTRUCTION	
Protective Class	Class II (double insulation)
Enclosure Protection	IP51 Indoor use
Applicable Conductors	25-50 mm ²
Mounting	3 points
Weight	0.66 kg

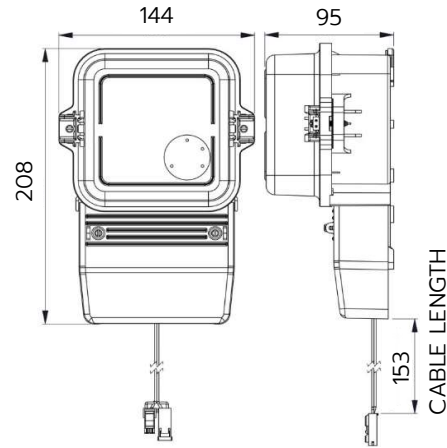
Model Code

SX2-A35E

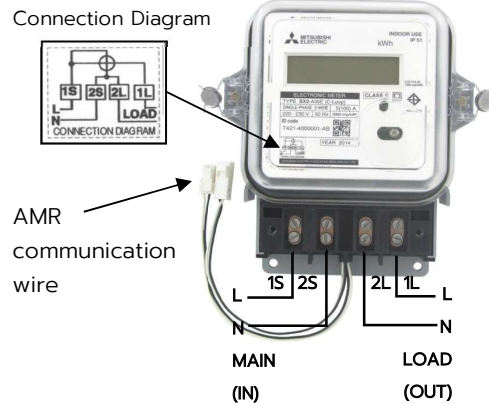
Dimensions of Mounting Point (mm)



Dimensions (mm)



Connection Diagram



Specifications are subject to change without notice.

MITSUBISHI ELECTRIC AUTOMATION (THAILAND) CO., LTD.

Bang-Chan Industrial Estate No.111 Soi Serithai 54, T.Kannayao, A.Kannayao, Bangkok 10230, Thailand
Tel: (66)2517-1326, (66)2919-9873 URL: www.mitsubishi-meath.com/meter E-mail: meter_support@meath.co.th

MSD-U0033