



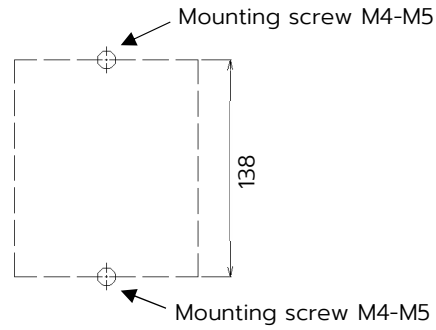
TYPE
SX1

Technical Data

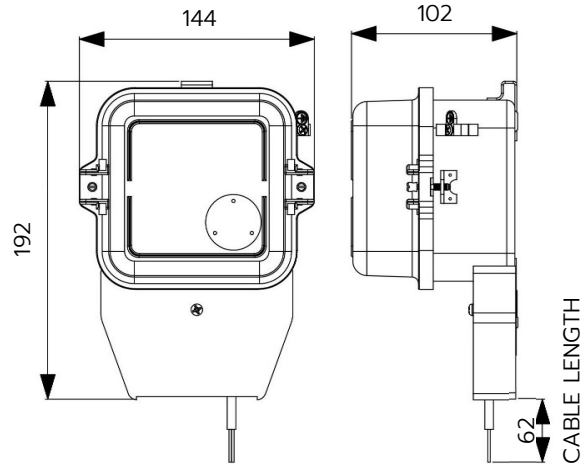
Electronic Meter SX1 RS-485 Model

Model Code	SX1-A31E
Standard	TIS 2543-2555, IEC 62052-11, IEC 62053-21
Display	LCD Display
Energy (kWh)	5 integer + 1 decimal
Display Item	kWh (import+export), Volt, Amp, kW
OPERATING CONDITION	
Power System	1-Phase 2-Wire
Reference Voltage	220-230 V
Operating Voltage	176-264 V
Rated Current	5(45) A
Reference Frequency	50 Hz
Temperature/Humidity	0-70 °C / 0-98 %RH (non-condensing)
COMMUNICATION / SOFTWARE	
Communications Port	RS-485 (for connecting with AMR)
Protocol	<ul style="list-style-type: none"> · Proprietary (default) · Modbus RTU
Accessories (Optional)	<ul style="list-style-type: none"> · ADC · RS-485 to ethernet converter, RS-485 surge protector, Terminator 150
Support Software	<ul style="list-style-type: none"> · e-Smart Billing / e-Smart Energy (Windows 10 or later) · Modbus Meter Setting (Windows 10 or later)
ELECTRICAL CHARACTERISTICS	
Accuracy	Class 1
LCD Pulse	3000 imp/kWh
Power Consumption	
Voltage Circuit	< 2 W / 10 VA
Current Circuit	< 4 VA
Starting Current	20 mA (at reference voltage)
Over Current	54 A (continue for 30 minutes)
Surge Immunity	4 kV
Impulse Voltage	6 kV
MECHANICAL CONSTRUCTION	
Protective Class	Class I
Enclosure Protection	IP54 Weather proof
Applicable Conductors	10-16 mm ²
Mounting	2 points
Weight	0.88 kg

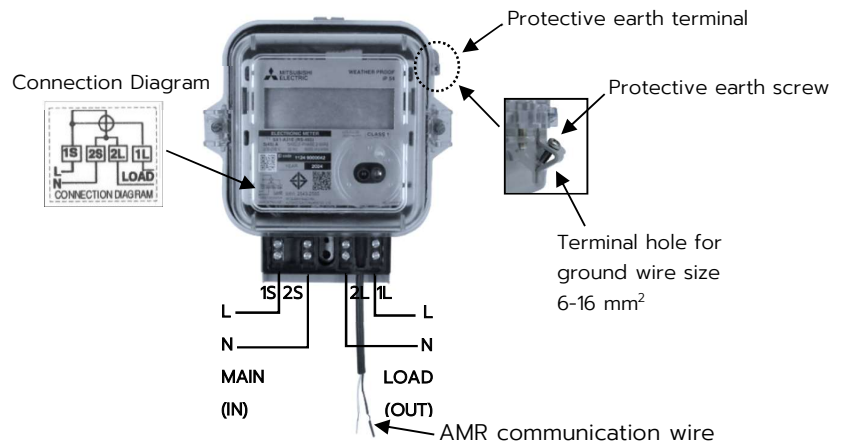
Dimensions of Mounting Point (mm)



Dimensions (mm)



Connection Diagram



Specifications are subject to change without notice.