



TYPE  
SMW110

# Technical Data

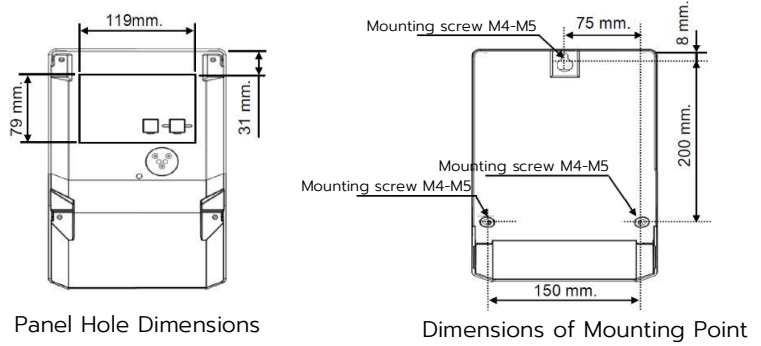
## Electronic Meter SMW110 Basic Model

Model Code	SMW110-C41E
Standard	TIS 2544-2555, IEC 62052-11, IEC 62053-22
Display	LCD Display
Energy (kWh)	5 integer + 1 decimal
Display Item	Normal mode (automatic scrolling) : kWh (import+export)
	Alternate mode (manual scrolling) : kW, Volt, Amp, Display test, Phase angle, Baud rate
	Backup mode (power failure) : kWh (import+export), Baud rate, ID code
<b>OPERATING CONDITION</b>	
Power System	3-Phase 4-Wire
Reference Voltage	3x220/380-230/400 V
Operating Voltage	165/285-264/457 V
Rated Current	5(10) A (CT operated)
Reference Frequency	50 Hz
Temperature/Humidity	0-70 °C / 0-95 %RH (non-condensing)
<b>COMMUNICATION / SOFTWARE</b>	
Communications Port	RS-485 (for connecting with ADC)
Protocol	Proprietary
Accessories (Optional)	ADC
Support Software	e-Smart Billing / e-Smart Energy (Windows 10 or later)
<b>ELECTRICAL CHARACTERISTICS</b>	
Accuracy	Class 0.5 S (Active Energy)
Meter Constant	5000 imp/kWh
Power Consumption	
Voltage Circuit	< 2 W / 10 VA
Current Circuit	< 1 VA
Starting Current	5 mA (at reference voltage)
Over Current	12 A (continue for 30 minutes)
Surge Immunity	6 kV (higher than IEC Standard 50%)
Impulse Voltage	8 kV (higher than IEC Standard 30%)

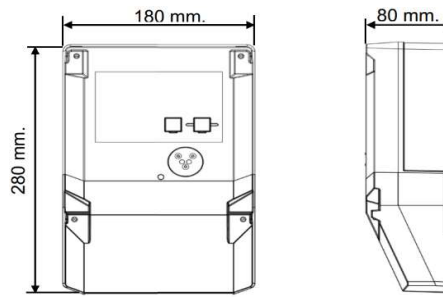
MECHANICAL CONSTRUCTION

Protective Class	Class II (double insulation)
Enclosure Protection	IP54
Applicable Conductors	2.5-10 mm <sup>2</sup>
Mounting	3 points
Weight	1.32 kg

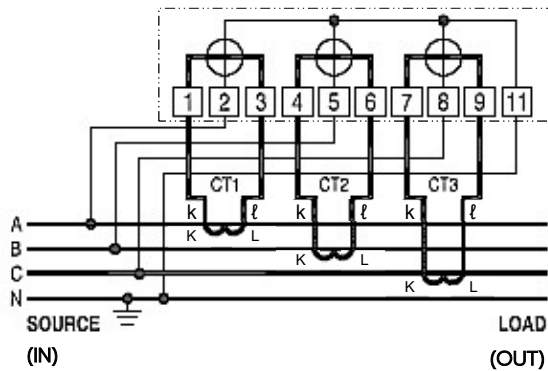
Panel Hole Dimensions (mm) and Dimensions of Mounting Point (mm)



Dimensions (mm)



Connection Diagram



Specifications are subject to change without notice.